

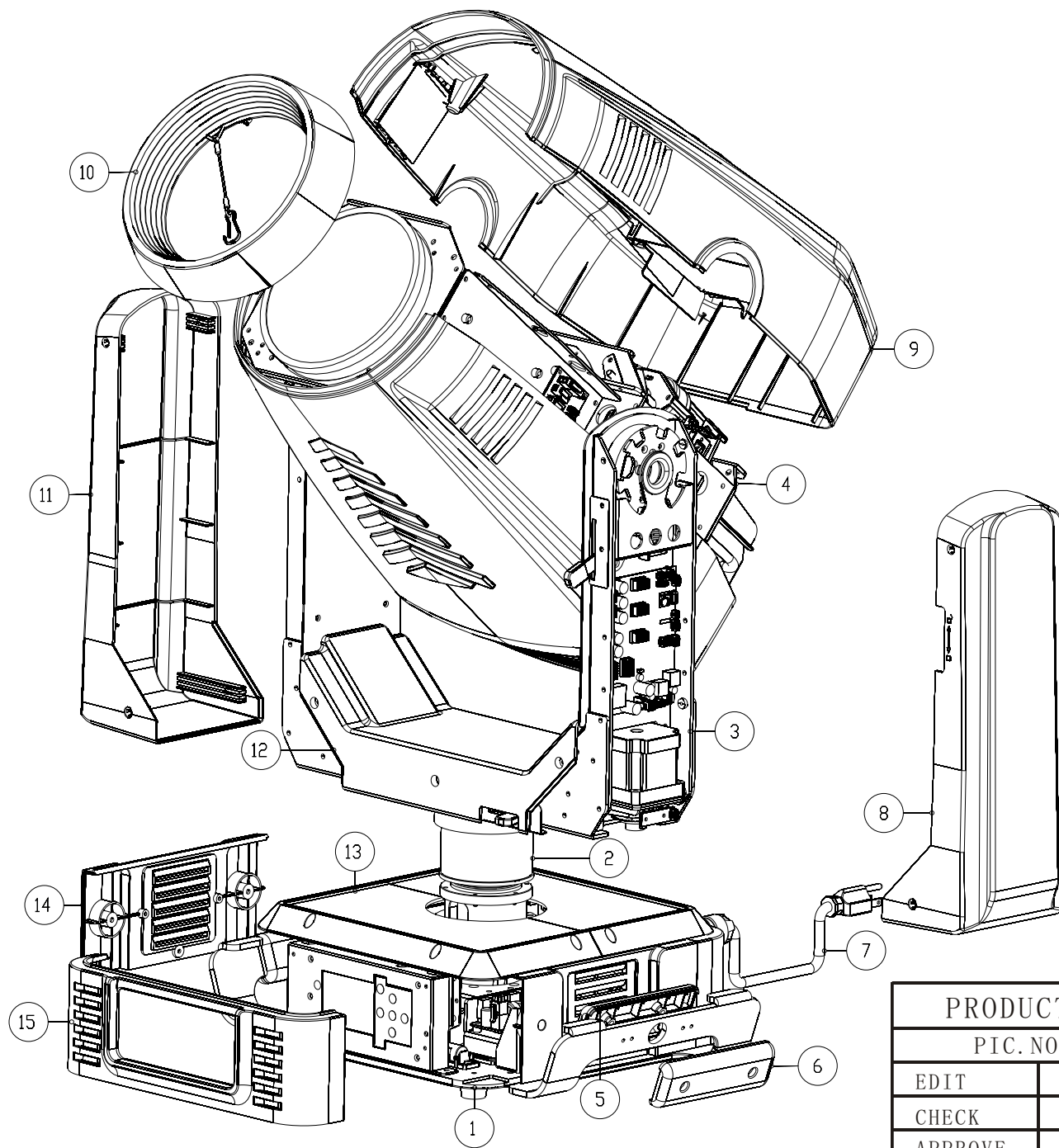
Service manual

STAGE

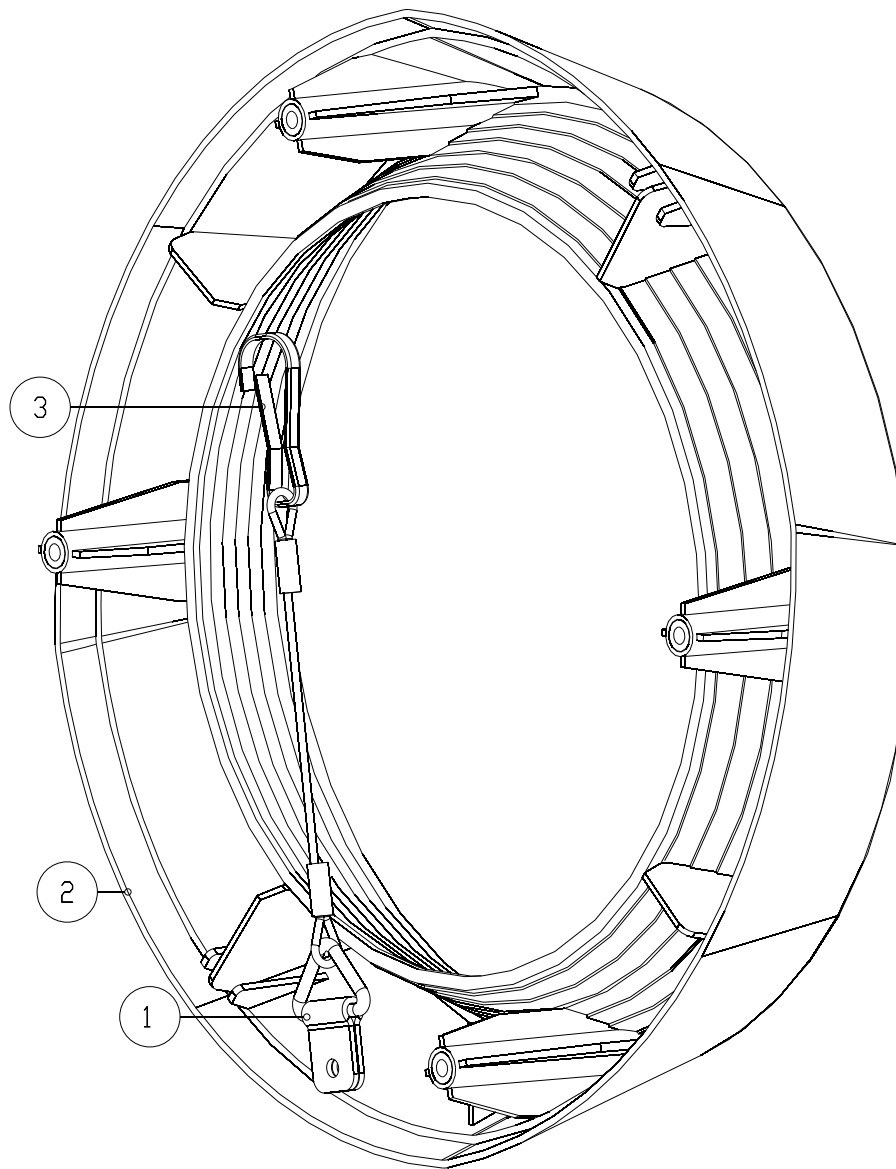
- ✘ Exploded Diagrams
- ✘ Circuit Diagrams
- ✘ Wiring Diagrams
- ✘ Parts List



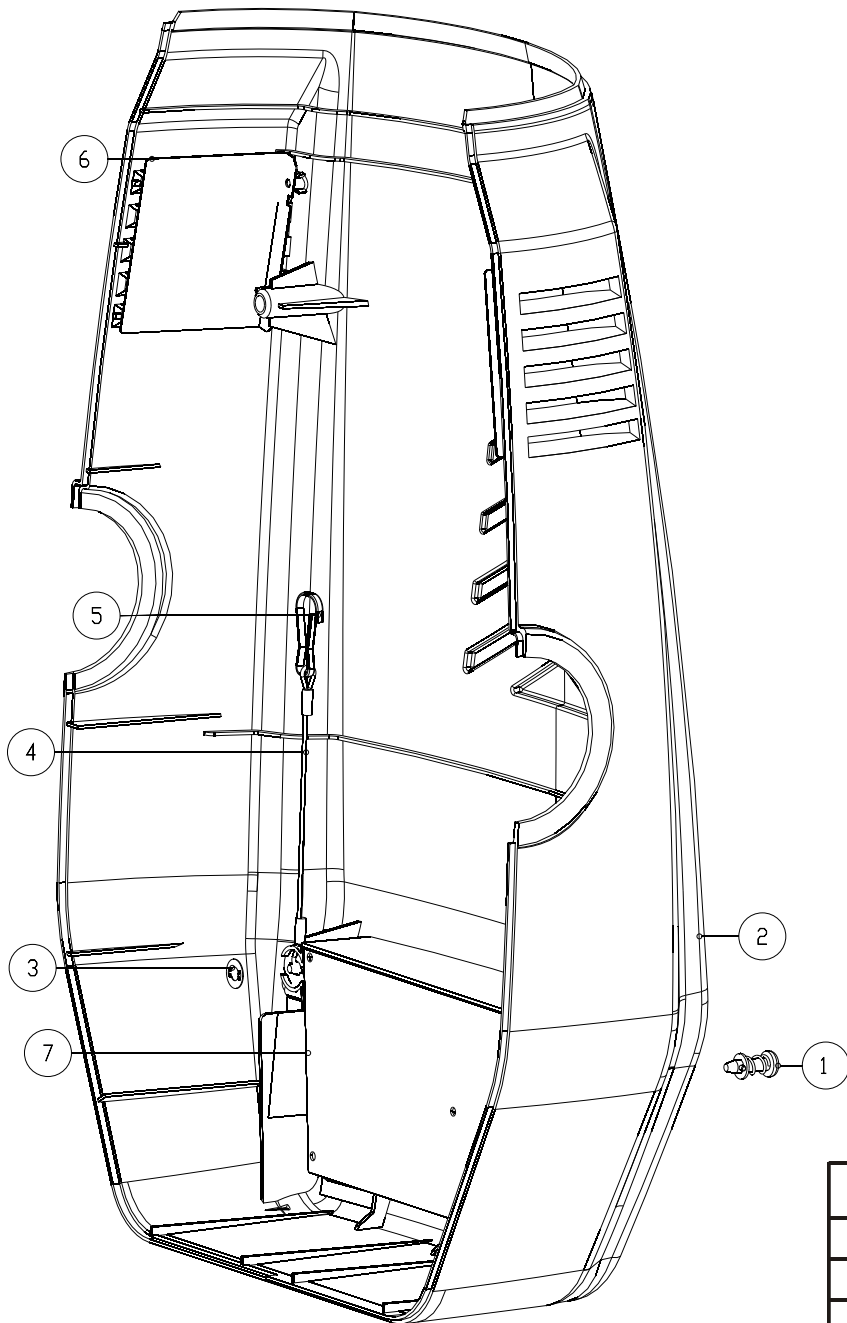
PRODUCT		STAGE	
PIC. NO.		Front Page	Series No. SO201860400001-0065
EDIT		FILE NO.	HY-EXP-1918A
CHECK		ORDER NO.	So20186040
APPROVE		VERSION	V200_001



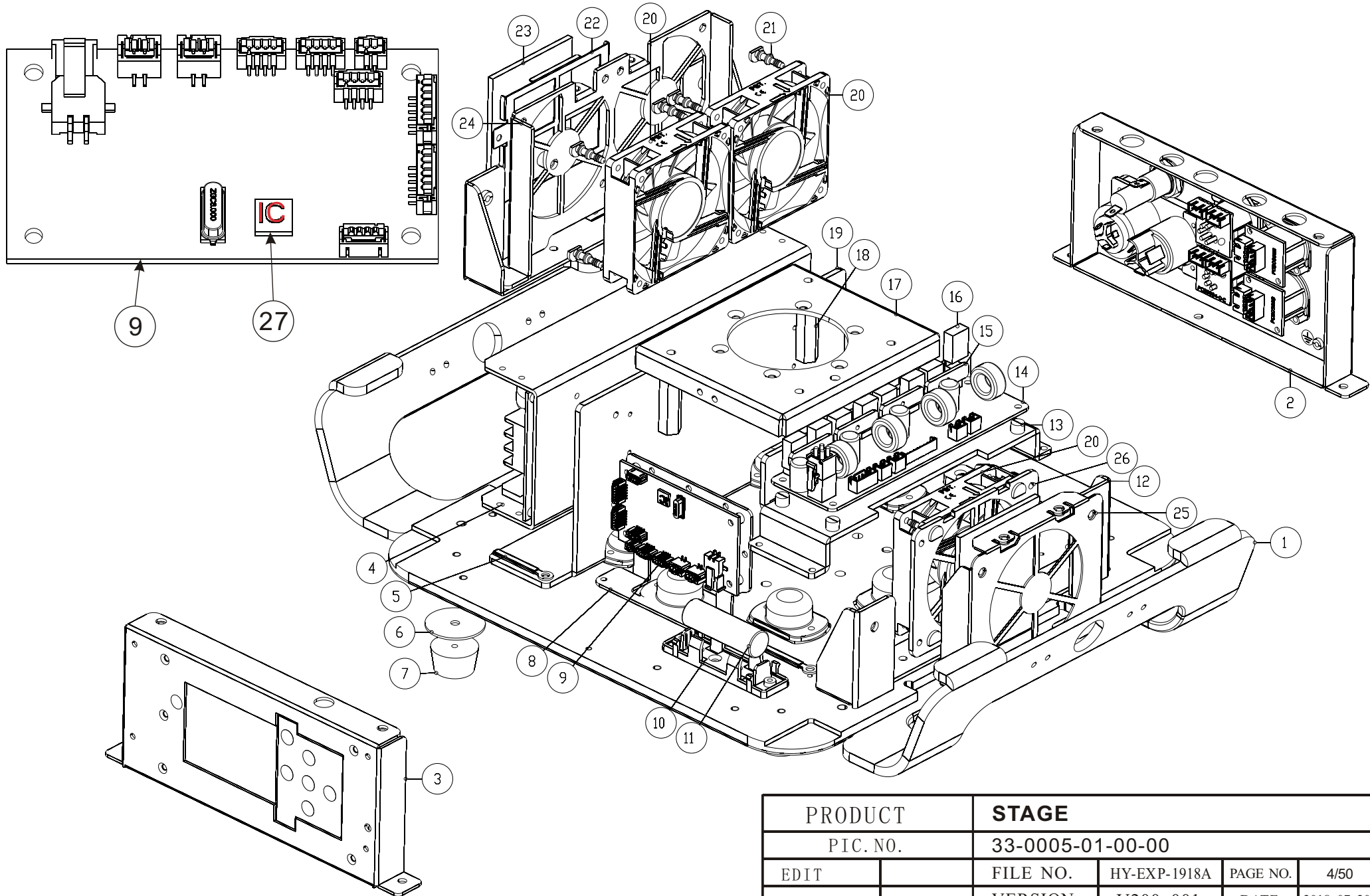
PRODUCT		STAGE			
PIC. NO.		33-0007-00-00-00			
EDIT		FILE NO.	HY-EXP-1918A	PAGE NO.	1/50
CHECK		VERSION	V200_001	DATE	2018.07.20
APPROVE		ECN NO.		DATE	



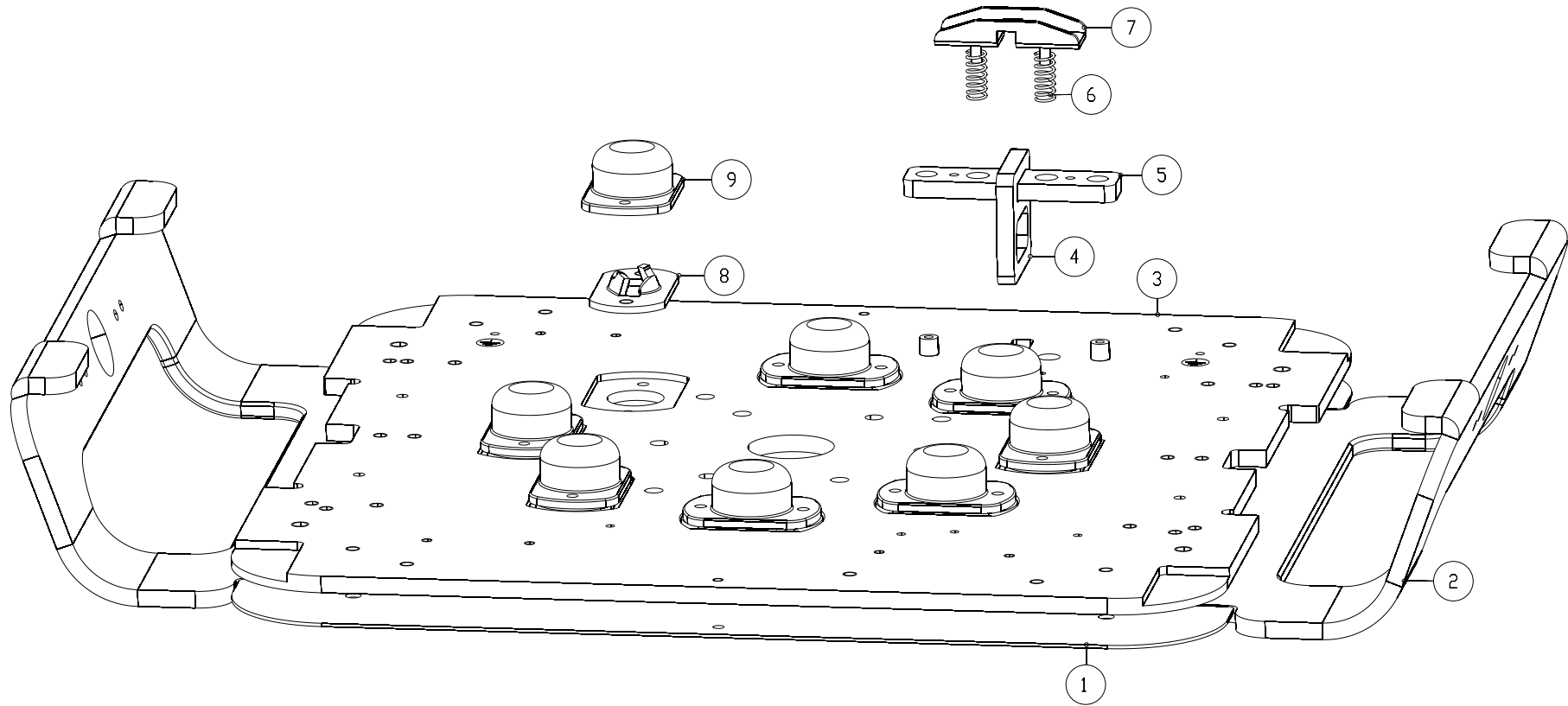
PRODUCT		STAGE			
PIC. NO.		IC420L-04C-02_A00			
EDIT		FILE NO.	HY-EXP-1918A	PAGE NO.	2/50
CHECK		VERSION	V200_001	DATE	2018.07.20
APPROVE		ECN NO.		DATE	



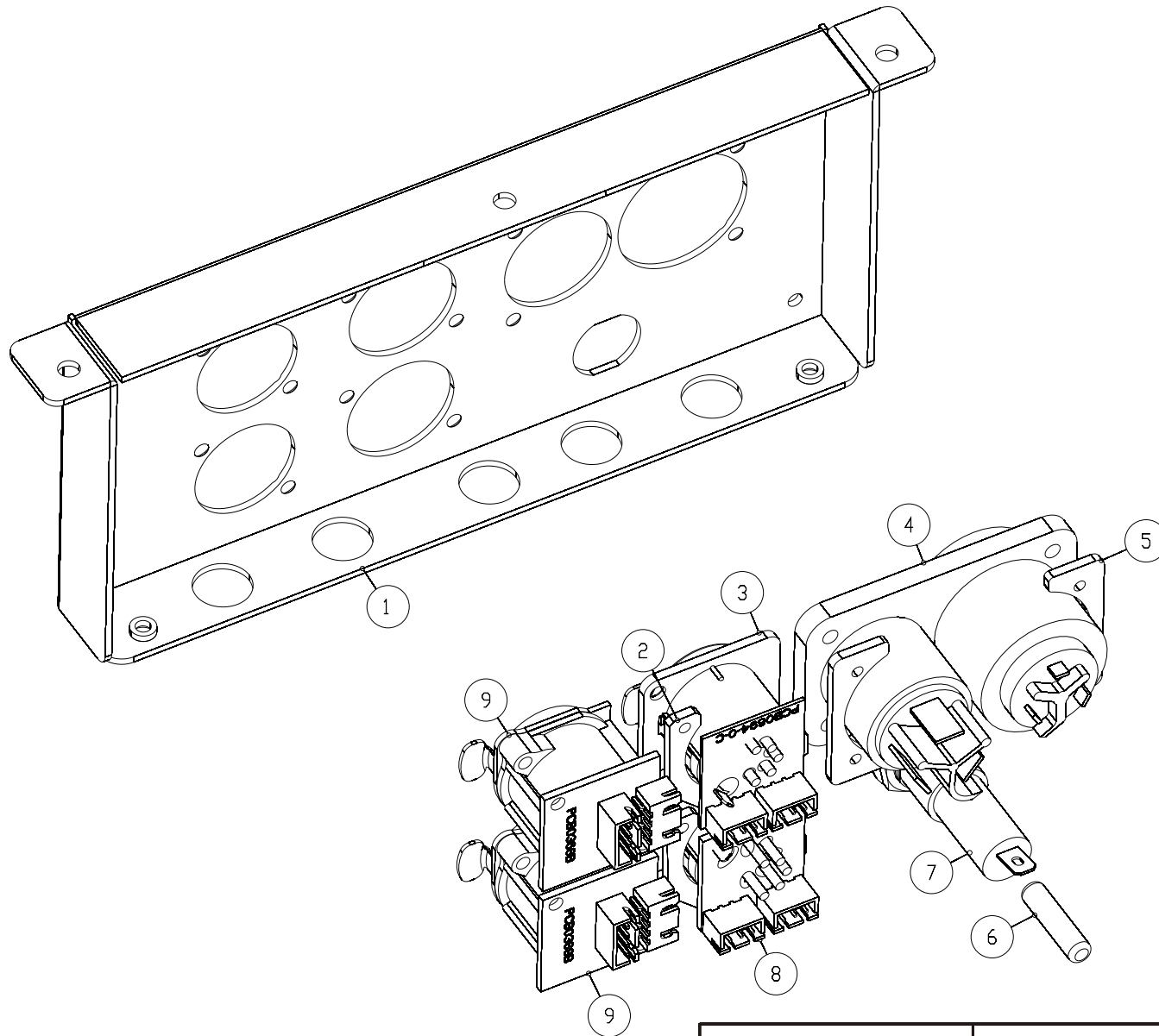
PRODUCT		STAGE			
PIC. NO.		IC420L-04C-01_A00			
EDIT		FILE NO.	HY-EXP-1918A	PAGE NO.	3/50
CHECK		VERSION	V200_001	DATE	2018.07.20
APPROVE		ECN NO.		DATE	



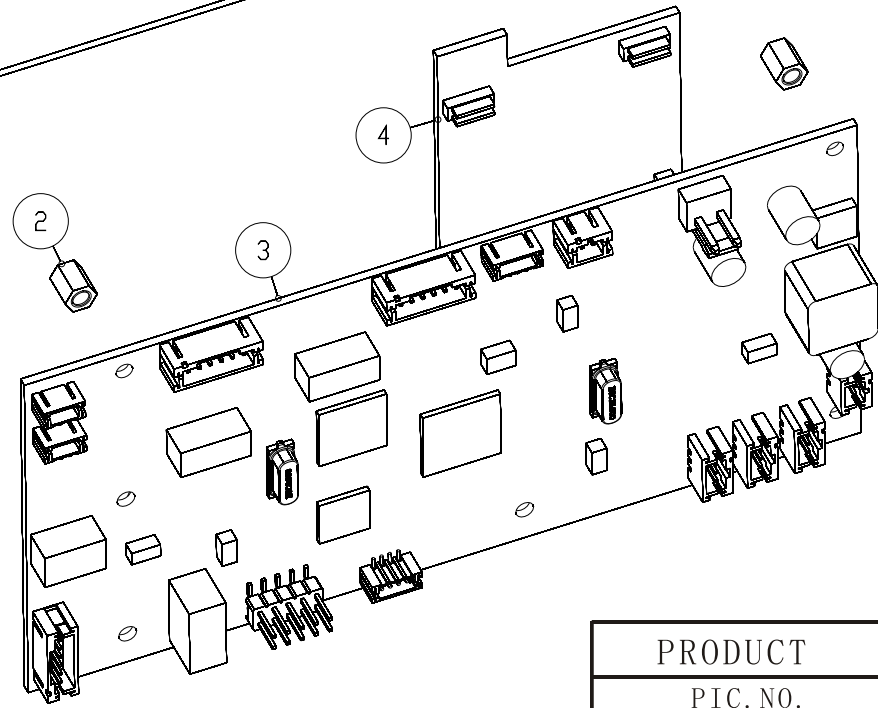
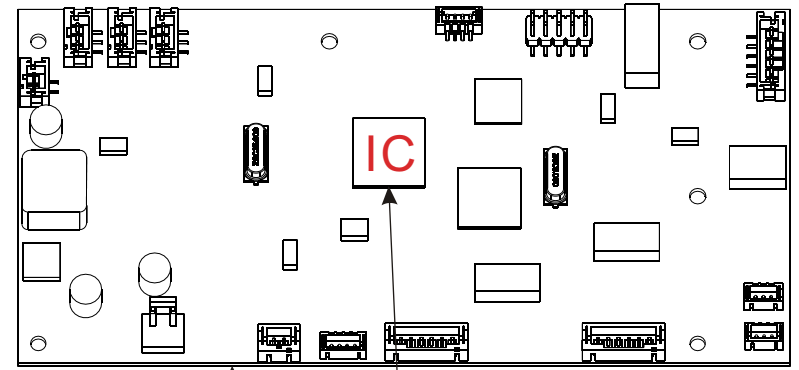
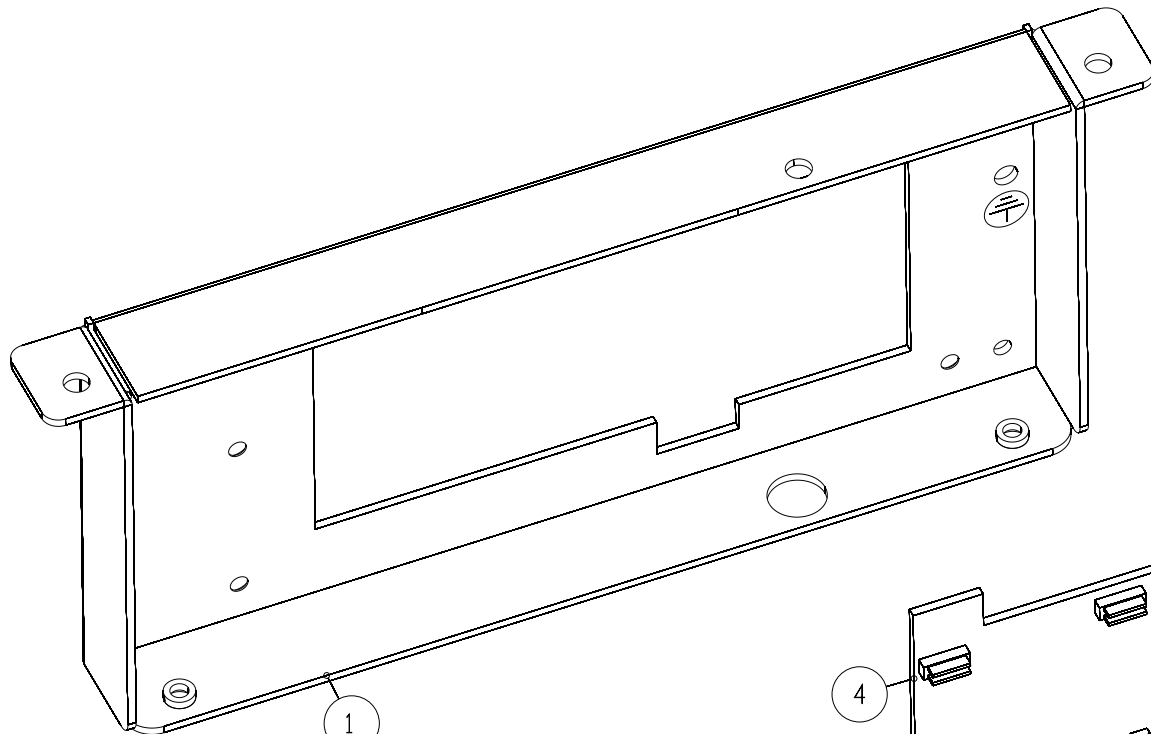
PRODUCT		STAGE			
PIC. NO.		33-0005-01-00-00			
EDIT		FILE NO.	HY-EXP-1918A	PAGE NO.	4/50
CHECK		VERSION	V200_001	DATE	2018.07.20
APPROVE		ECN NO.		DATE	



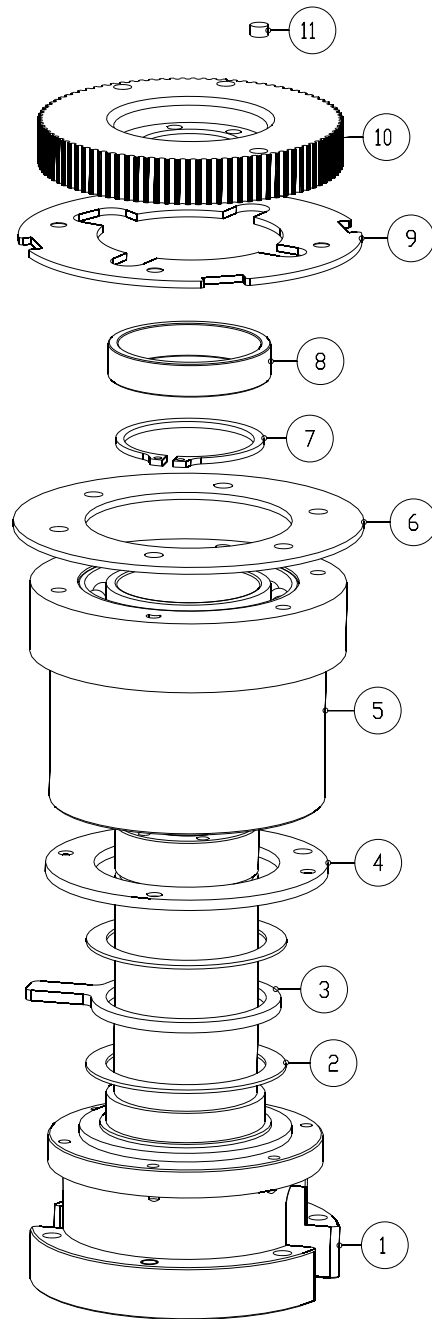
PRODUCT		STAGE			
PIC. NO.		33-0005-01-01-00			
EDIT		FILE NO.	HY-EXP-1918A	PAGE NO.	5/50
CHECK		VERSION	V200_001	DATE	2018.07.20
APPROVE		ECN NO.		DATE	



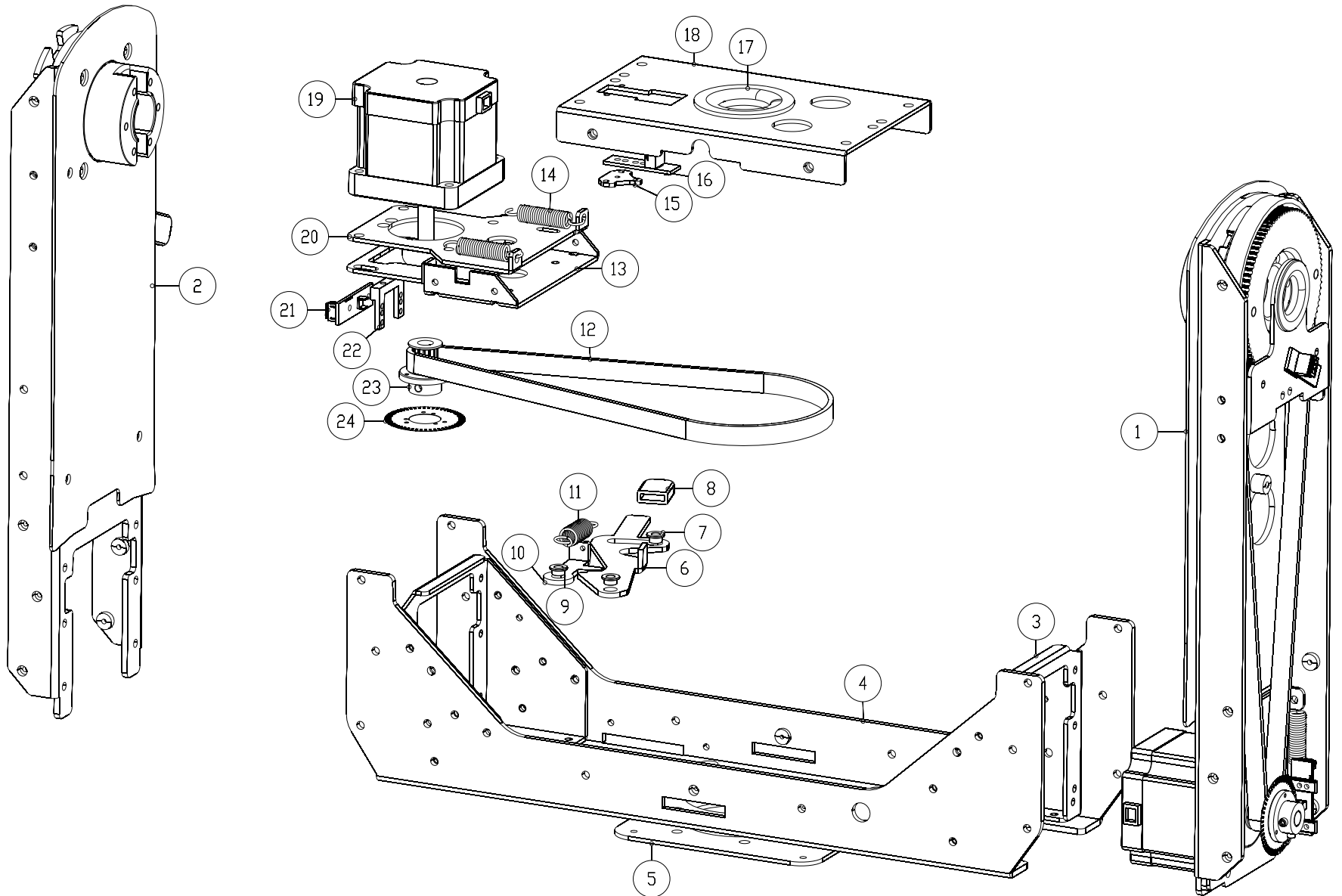
PRODUCT		STAGE			
PIC. NO.		33-0005-01-02-00			
EDIT		FILE NO.	HY-EXP-1918A	PAGE NO.	6/50
CHECK		VERSION	V200_001	DATE	2018.07.20
APPROVE		ECN NO.		DATE	



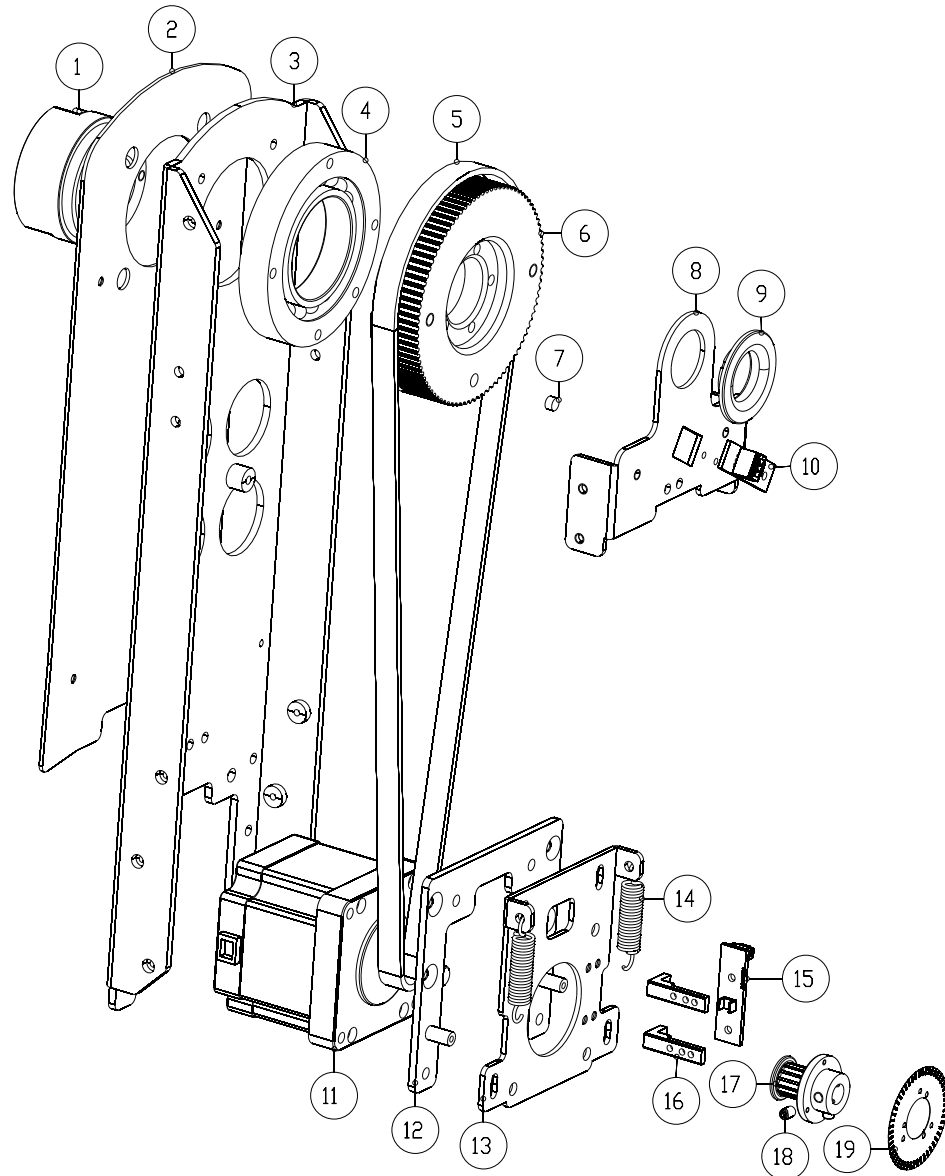
PRODUCT		STAGE			
PIC. NO.		33-0005-01-03-00			
EDIT		FILE NO.	HY-EXP-1918A	PAGE NO.	7/50
CHECK		VERSION	V200_001	DATE	2018.07.20
APPROVE		ECN NO.		DATE	



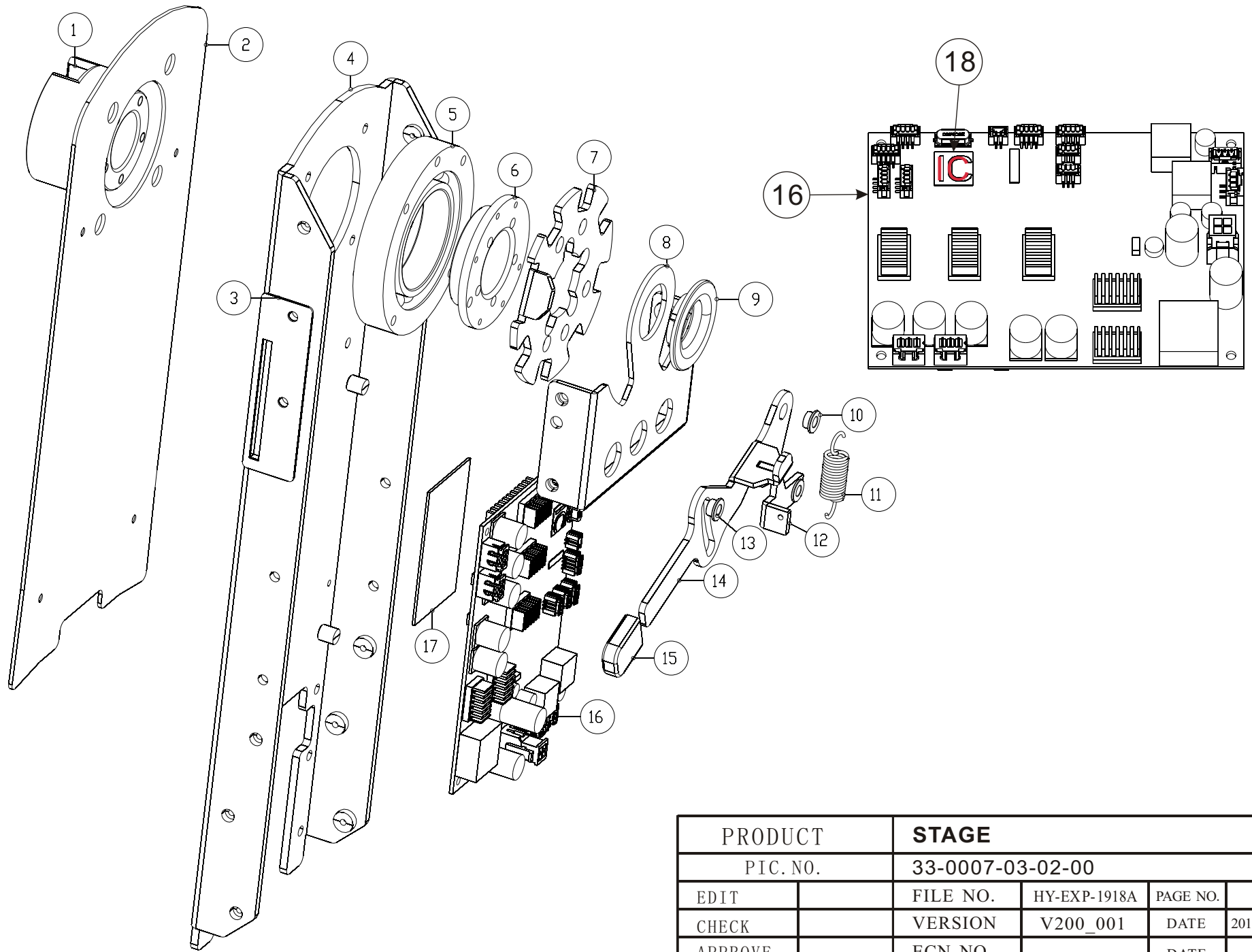
PRODUCT		STAGE			
PIC. NO.		33-0005-02-00-00			
EDIT		FILE NO.	HY-EXP-1918A	PAGE NO.	8/50
CHECK		VERSION	V200_001	DATE	2018.07.20
APPROVE		ECN NO.		DATE	



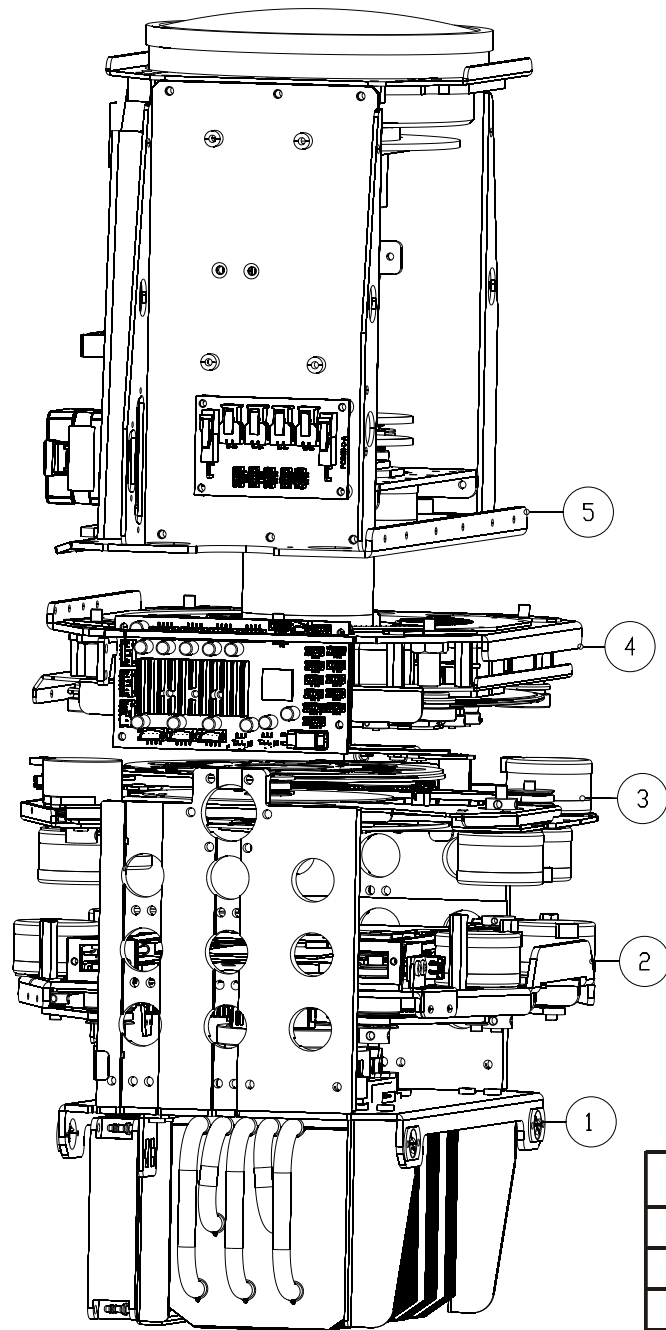
PRODUCT		STAGE			
PIC. NO.		33-0007-03-00-00			
EDIT		FILE NO.	HY-EXP-1918A	PAGE NO.	9/50
CHECK		VERSION	V200_001	DATE	2018.07.20
APPROVE		ECN NO.		DATE	



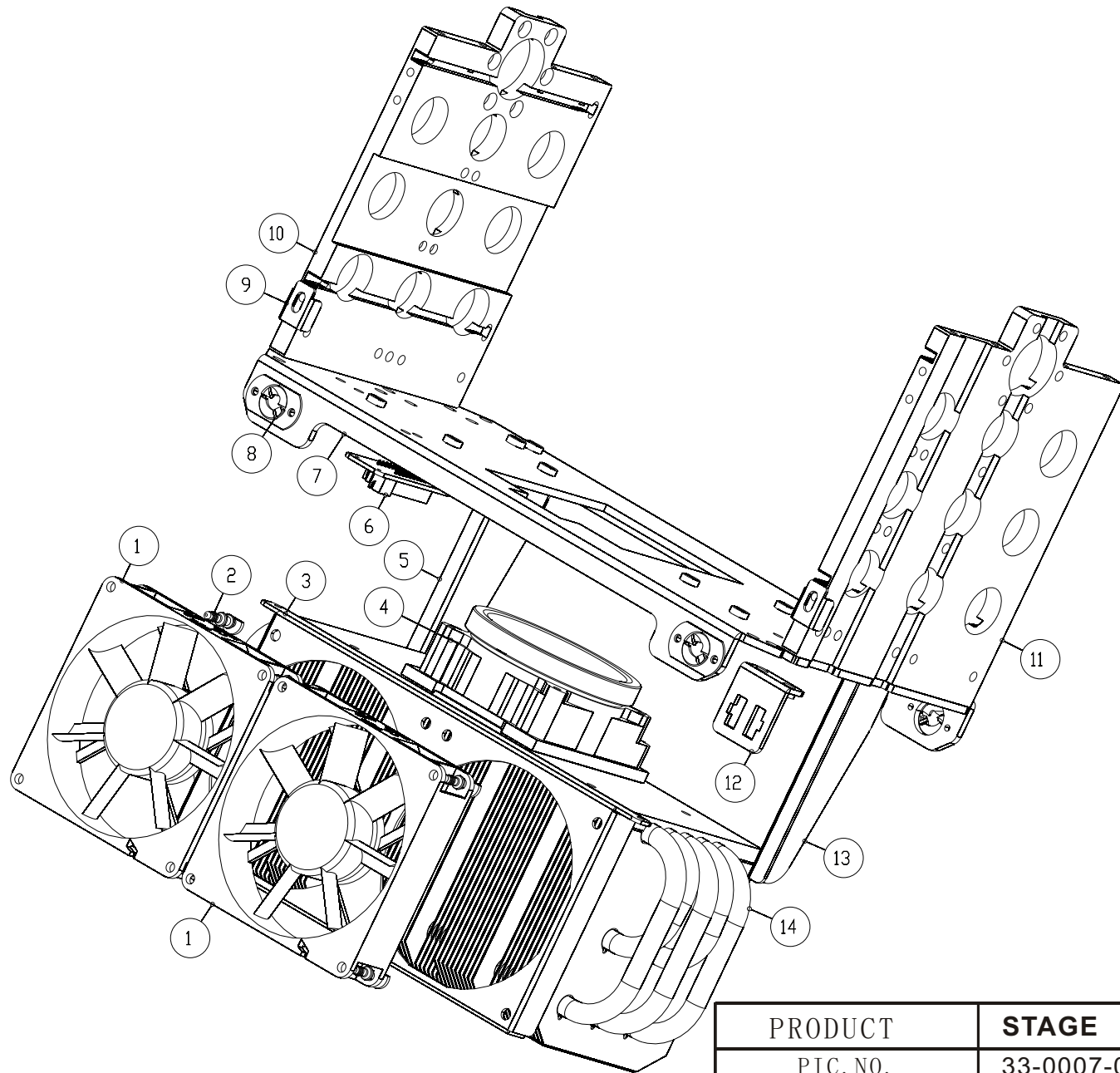
PRODUCT		STAGE			
PIC. NO.		33-0007-03-01-00			
EDIT		FILE NO.	HY-EXP-1918A	PAGE NO.	10/50
CHECK		VERSION	V200_001	DATE	2018.07.20
APPROVE		ECN NO.		DATE	



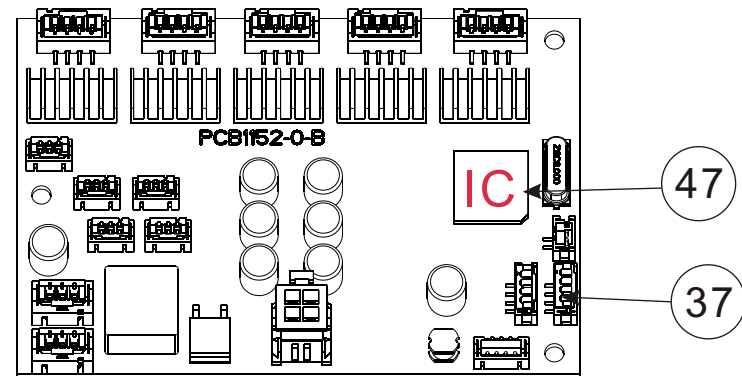
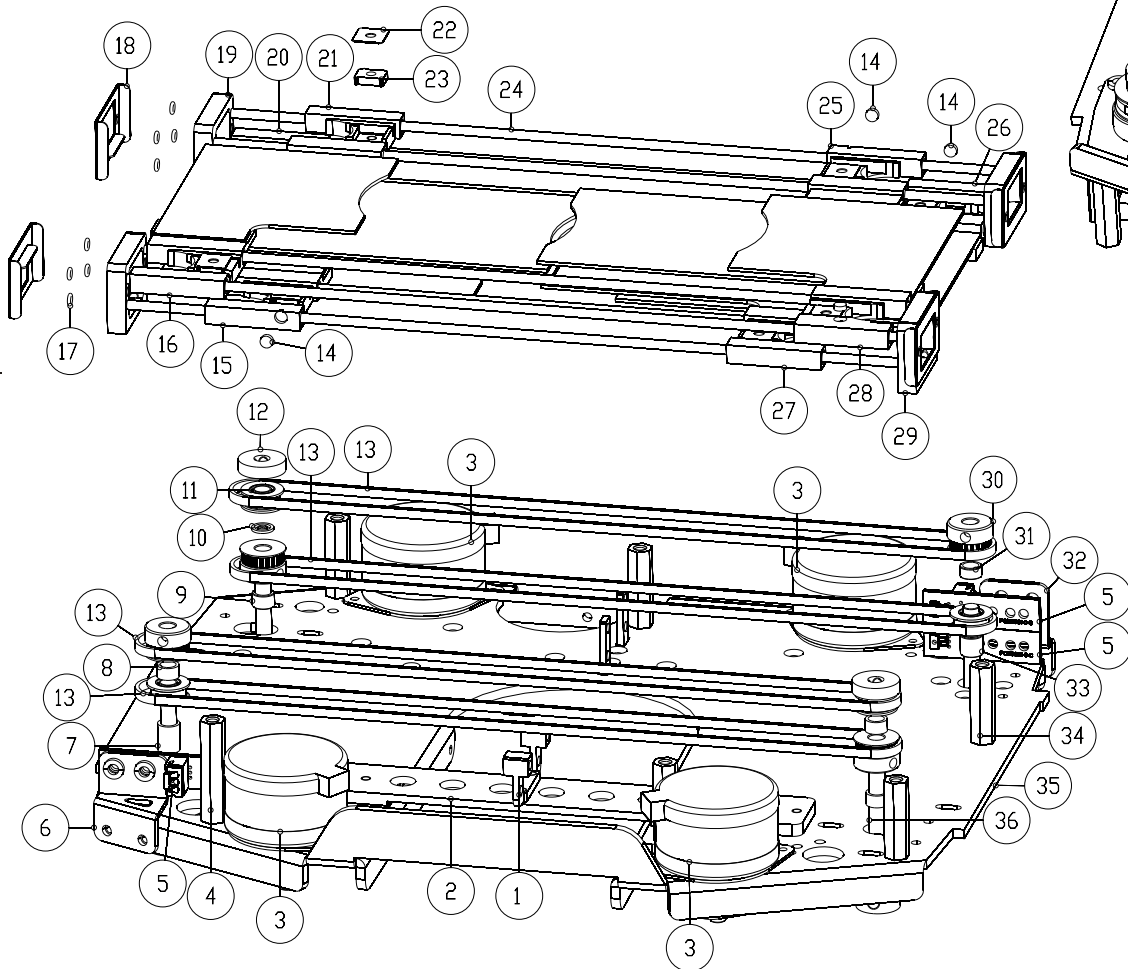
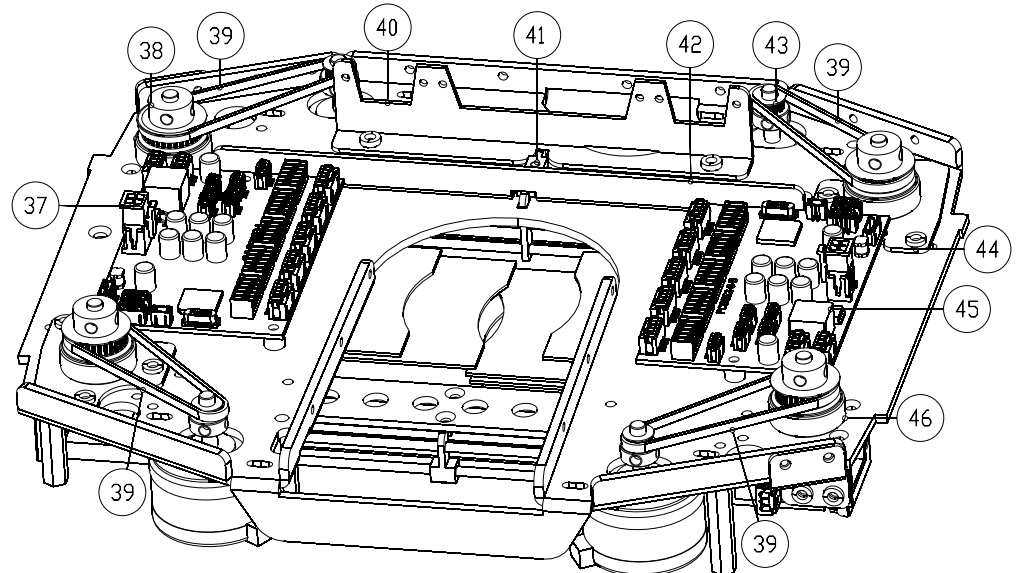
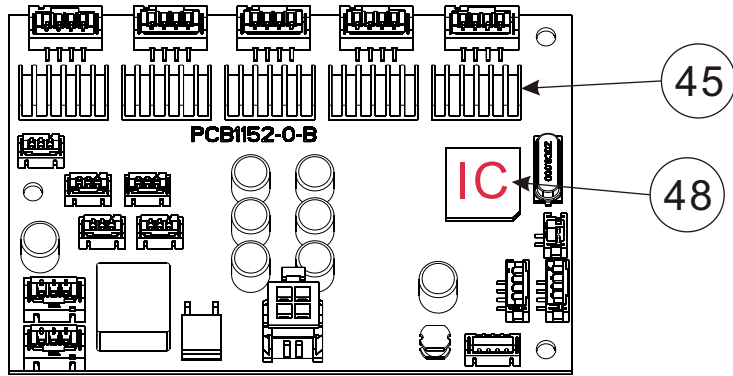
PRODUCT		STAGE			
PIC. NO.		33-0007-03-02-00			
EDIT		FILE NO.	HY-EXP-1918A	PAGE NO.	11/50
CHECK		VERSION	V200_001	DATE	2018.07.20
APPROVE		ECN NO.		DATE	



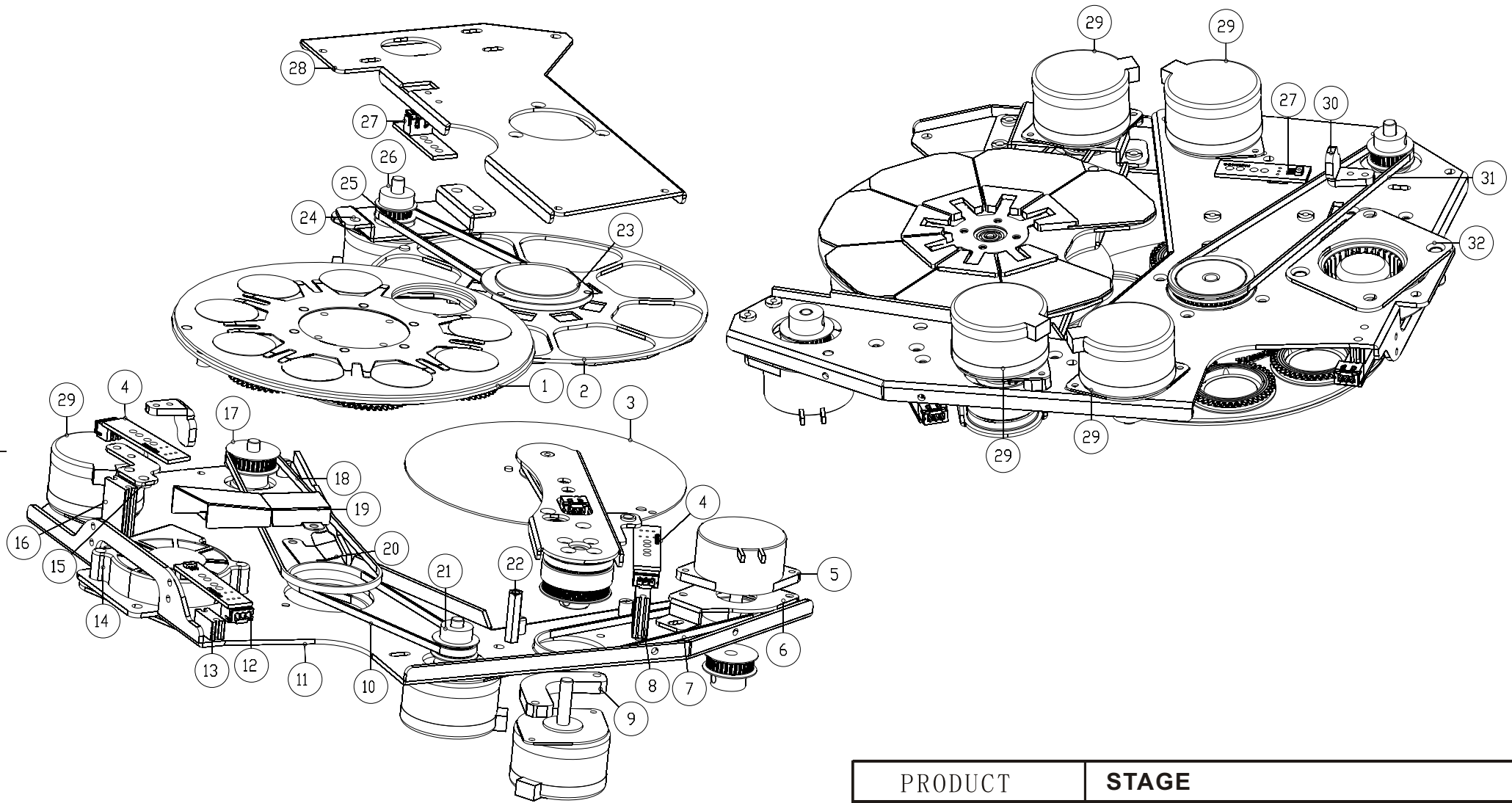
PRODUCT		STAGE			
PIC. NO.		33-0007-04-00-00			
EDIT		FILE NO.	HY-EXP-1918A	PAGE NO.	12/50
CHECK		VERSION	V200_001	DATE	2018.07.20
APPROVE		ECN NO.		DATE	



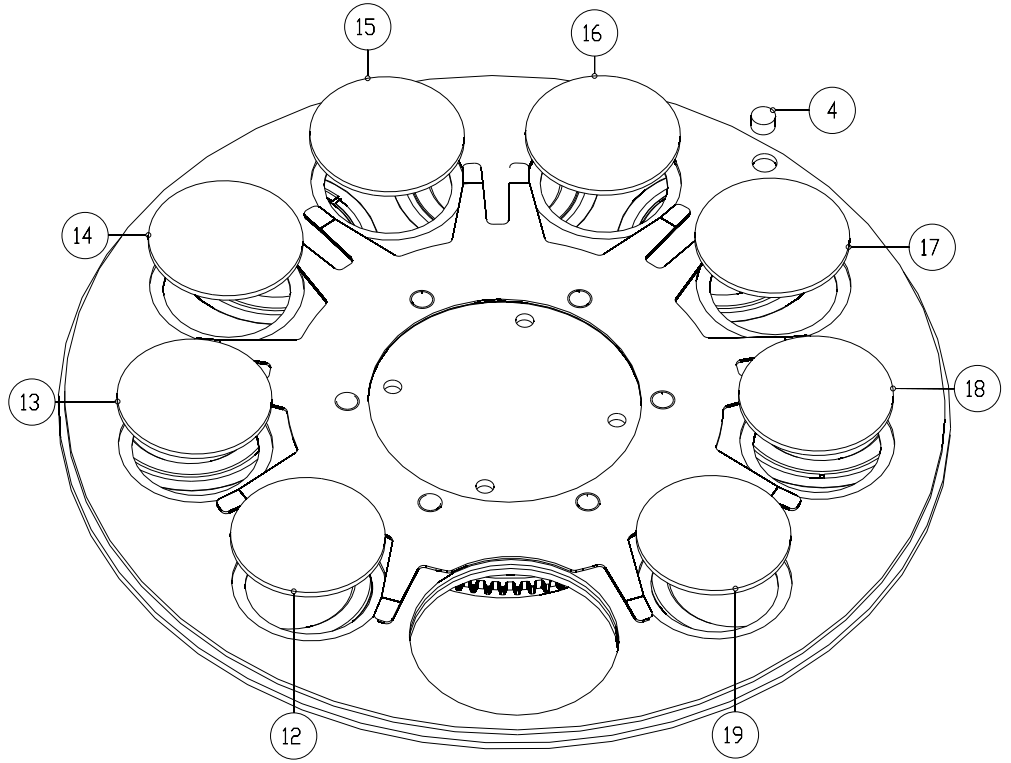
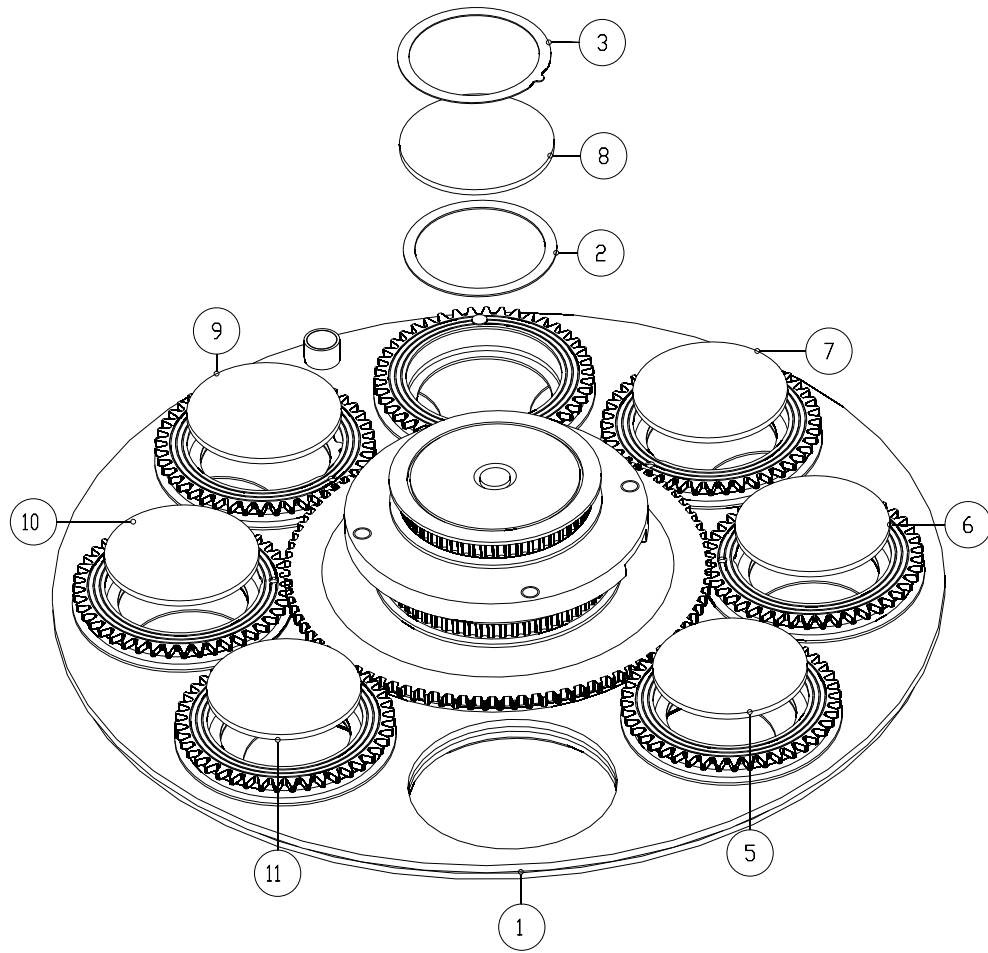
PRODUCT		STAGE			
PIC. NO.		33-0007-04-01-00			
EDIT		FILE NO.	HY-EXP-1918A	PAGE NO.	13/50
CHECK		VERSION	V200_001	DATE	2018.07.20
APPROVE		ECN NO.		DATE	



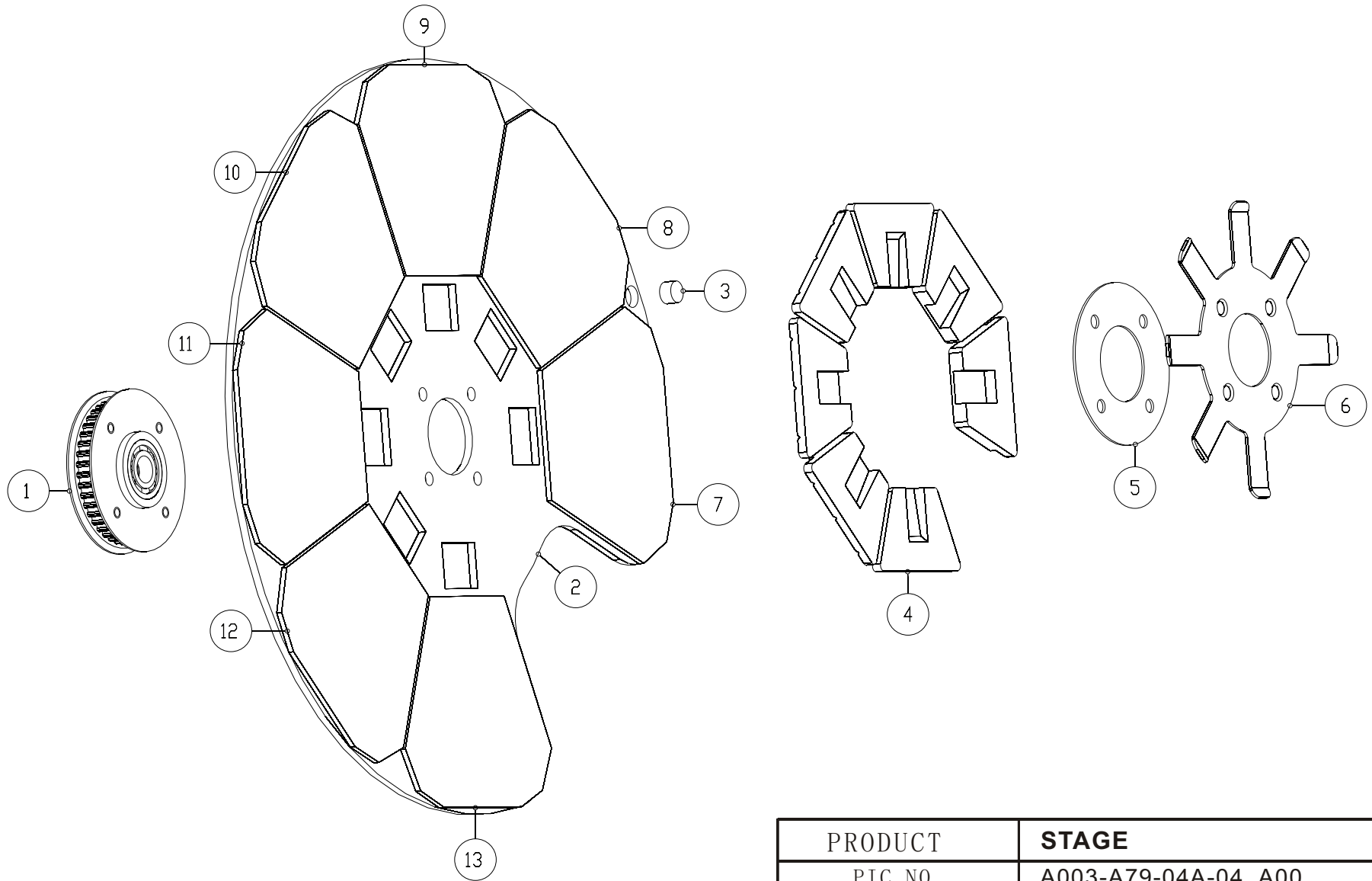
PRODUCT		STAGE			
PIC. NO.		33-0007-04-02-00			
EDIT		FILE NO.	HY-EXP-1918A	PAGE NO.	14/50
CHECK		VERSION	V200_001	DATE	2018.07.20
APPROVE		ECN NO.		DATE	



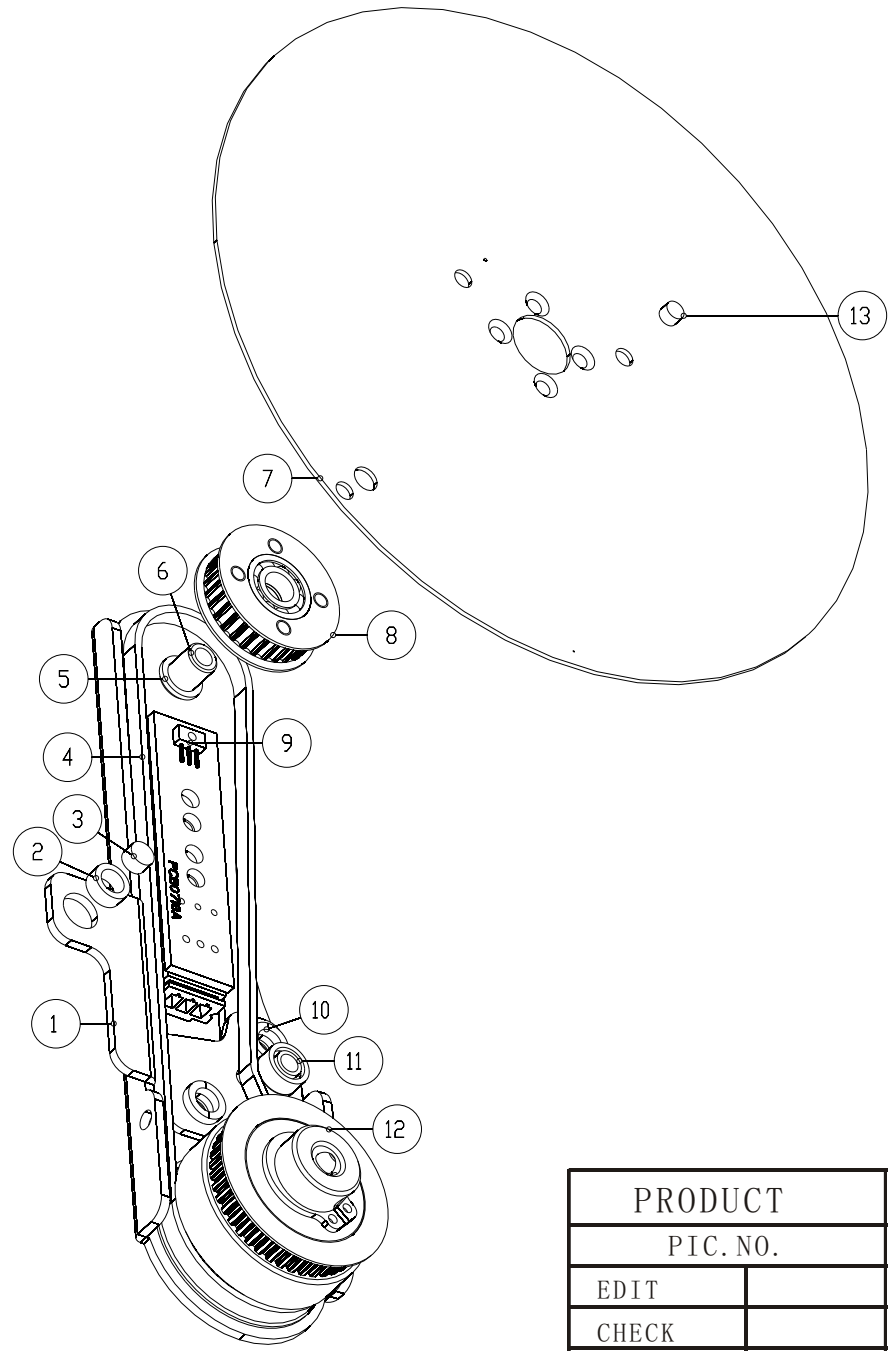
PRODUCT		STAGE			
PIC. NO.		33-0007-04-03-00			
EDIT		FILE NO.	HY-EXP-1918A	PAGE NO.	15/50
CHECK		VERSION	V200_001	DATE	2018.07.20
APPROVE		ECN NO.		DATE	



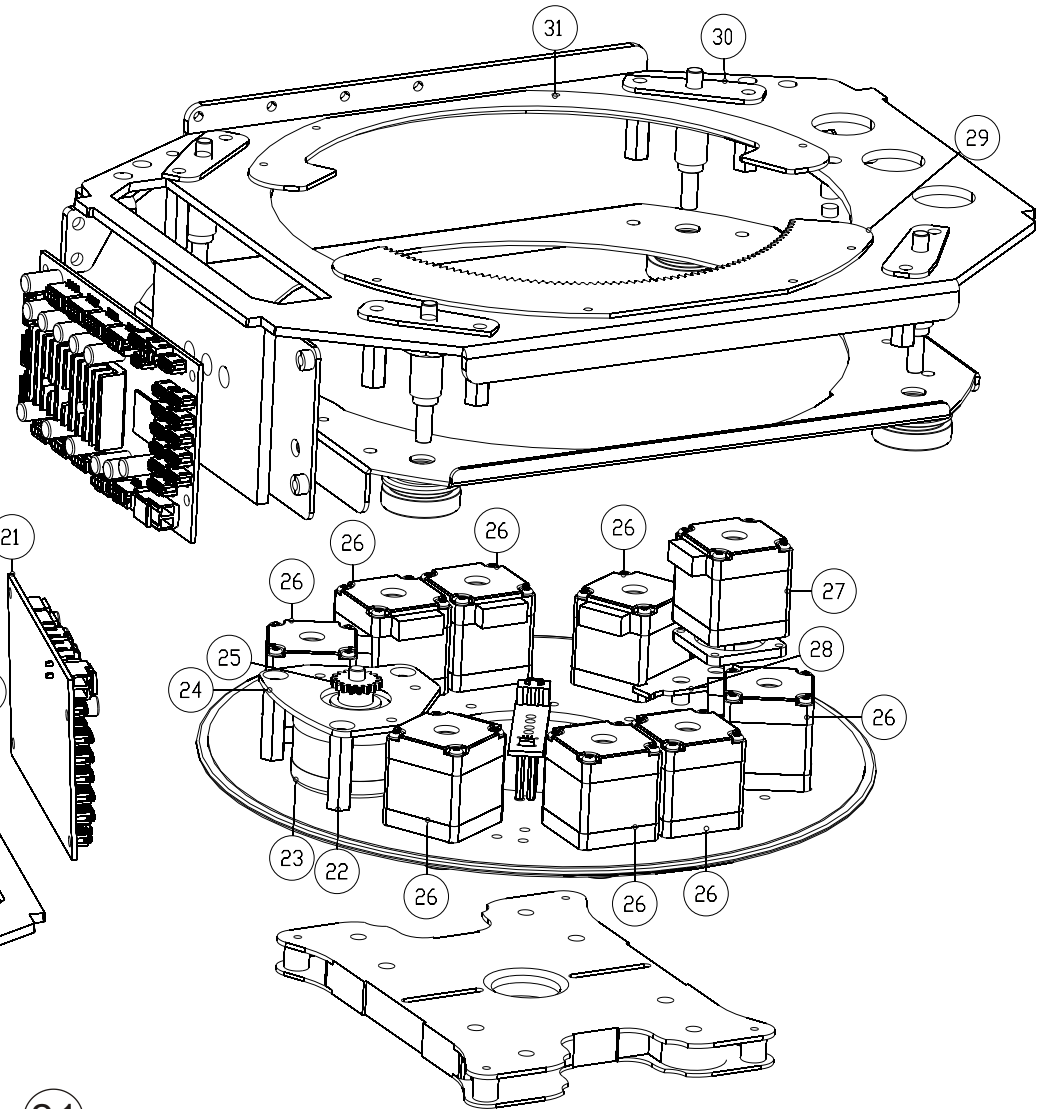
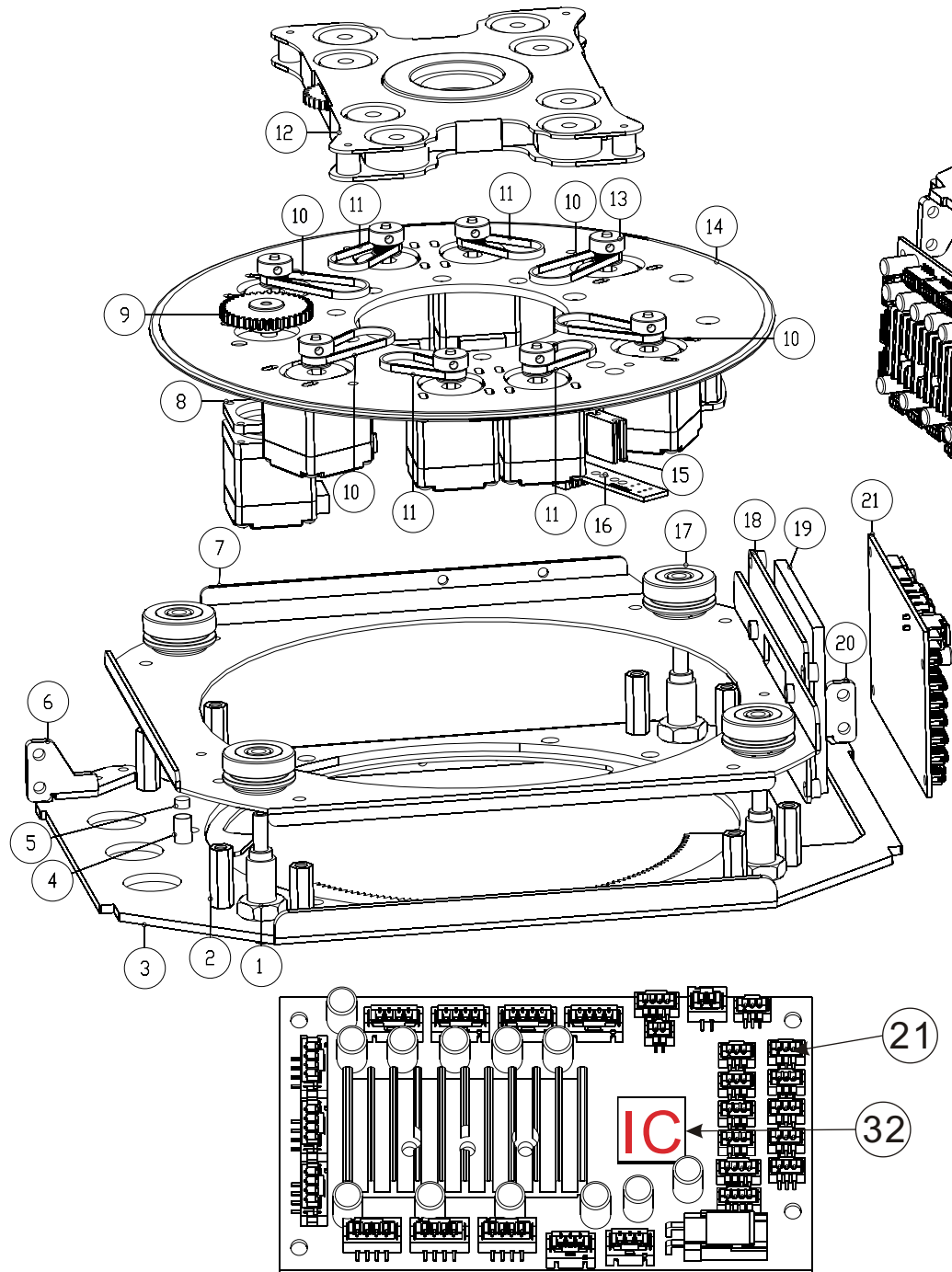
PRODUCT		STAGE			
PIC. NO.		A001-IC420L-04B-500-00-00_A00			
EDIT		FILE NO.	HY-EXP-1918A	PAGE NO.	16/50
CHECK		VERSION	V200_001	DATE	2018.07.20
APPROVE		ECN NO.		DATE	



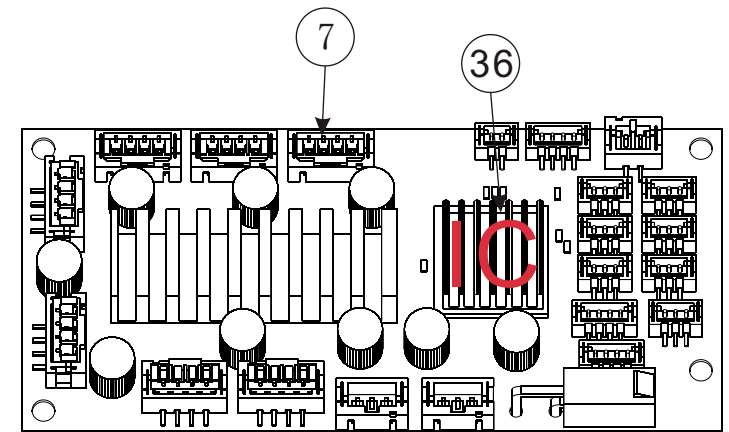
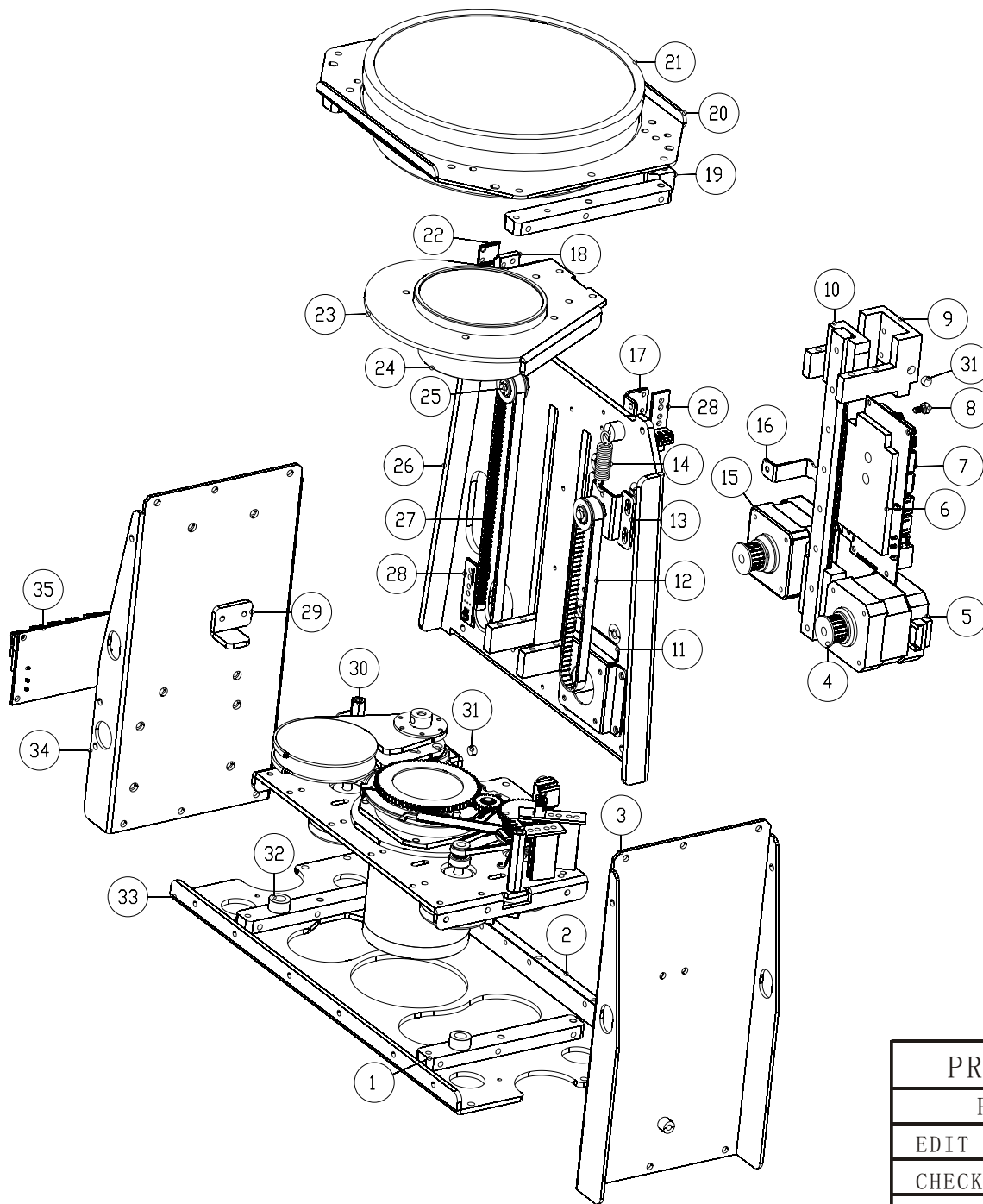
PRODUCT		STAGE			
PIC. NO.		A003-A79-04A-04_A00			
EDIT		FILE NO.	HY-EXP-1918A	PAGE NO.	17/50
CHECK		VERSION	V200_001	DATE	2018.07.20
APPROVE		ECN NO.		DATE	



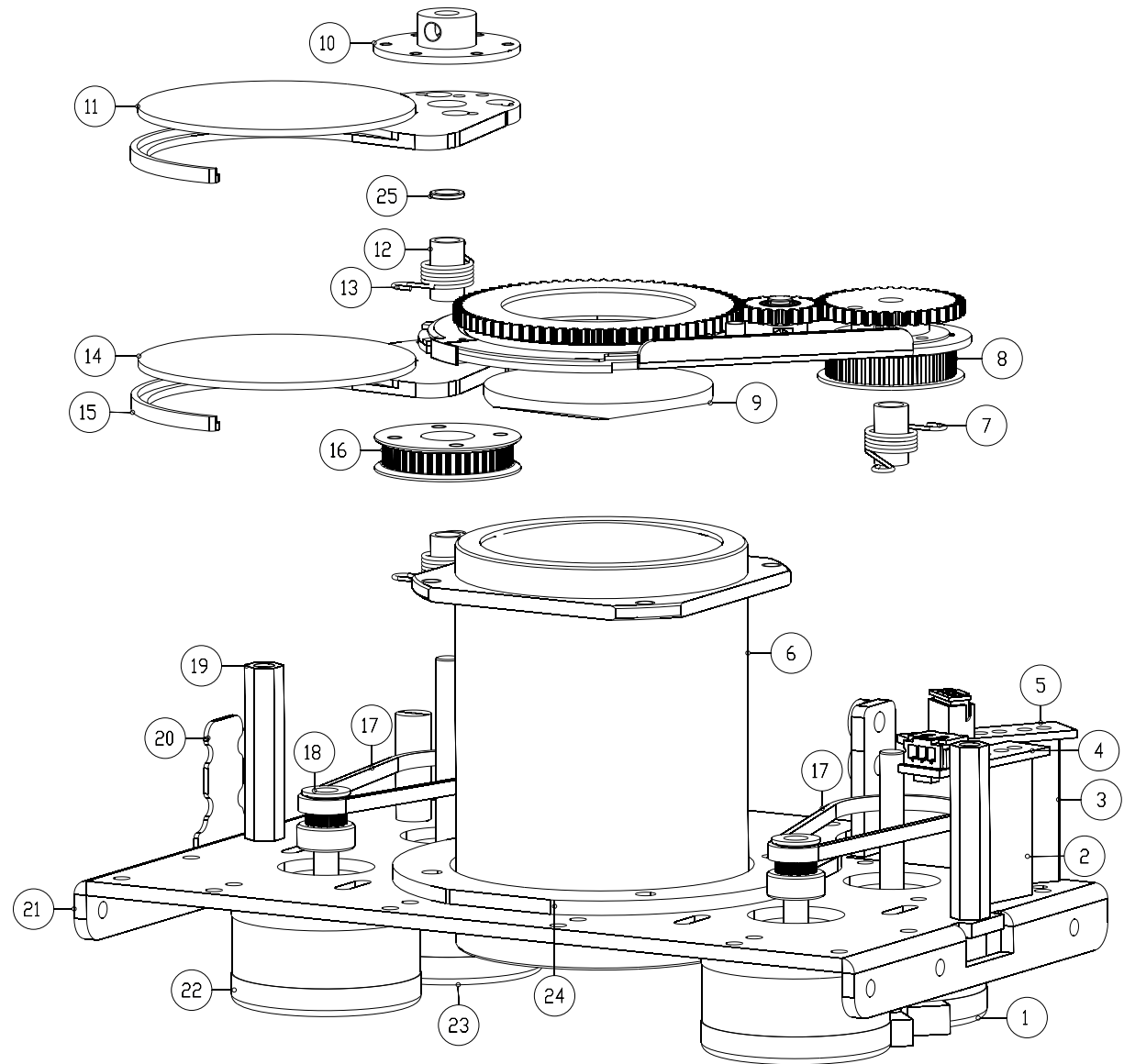
PRODUCT		STAGE			
PIC. NO.		A002-IC420L-04A-54-HP_A00			
EDIT		FILE NO.	HY-EXP-1918A	PAGE NO.	18/50
CHECK		VERSION	V200_001	DATE	2018.07.20
APPROVE		ECN NO.		DATE	



PRODUCT		STAGE			
PIC. NO.		33-0005-04-04-00			
EDIT		FILE NO.	HY-EXP-1918A	PAGE NO.	19/50
CHECK		VERSION	V200_001	DATE	2018.07.20
APPROVE		ECN NO.		DATE	

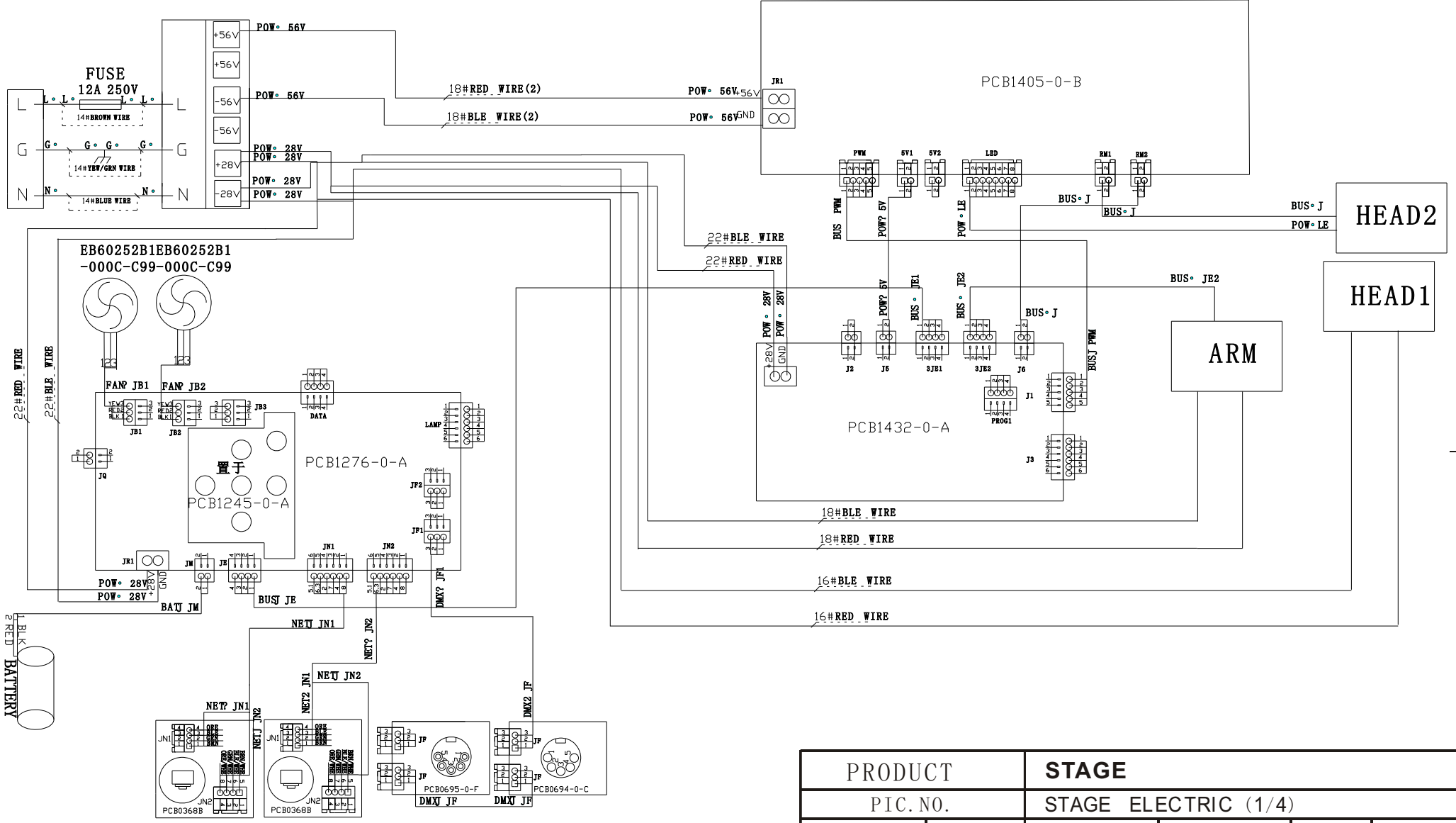


PRODUCT		STAGE			
PIC. NO.		33-0007-04-05-00			
EDIT		FILE NO.	HY-EXP-1918A	PAGE NO.	20/50
CHECK		VERSION	V200_001	DATE	2018.07.20
APPROVE		ECN NO.		DATE	



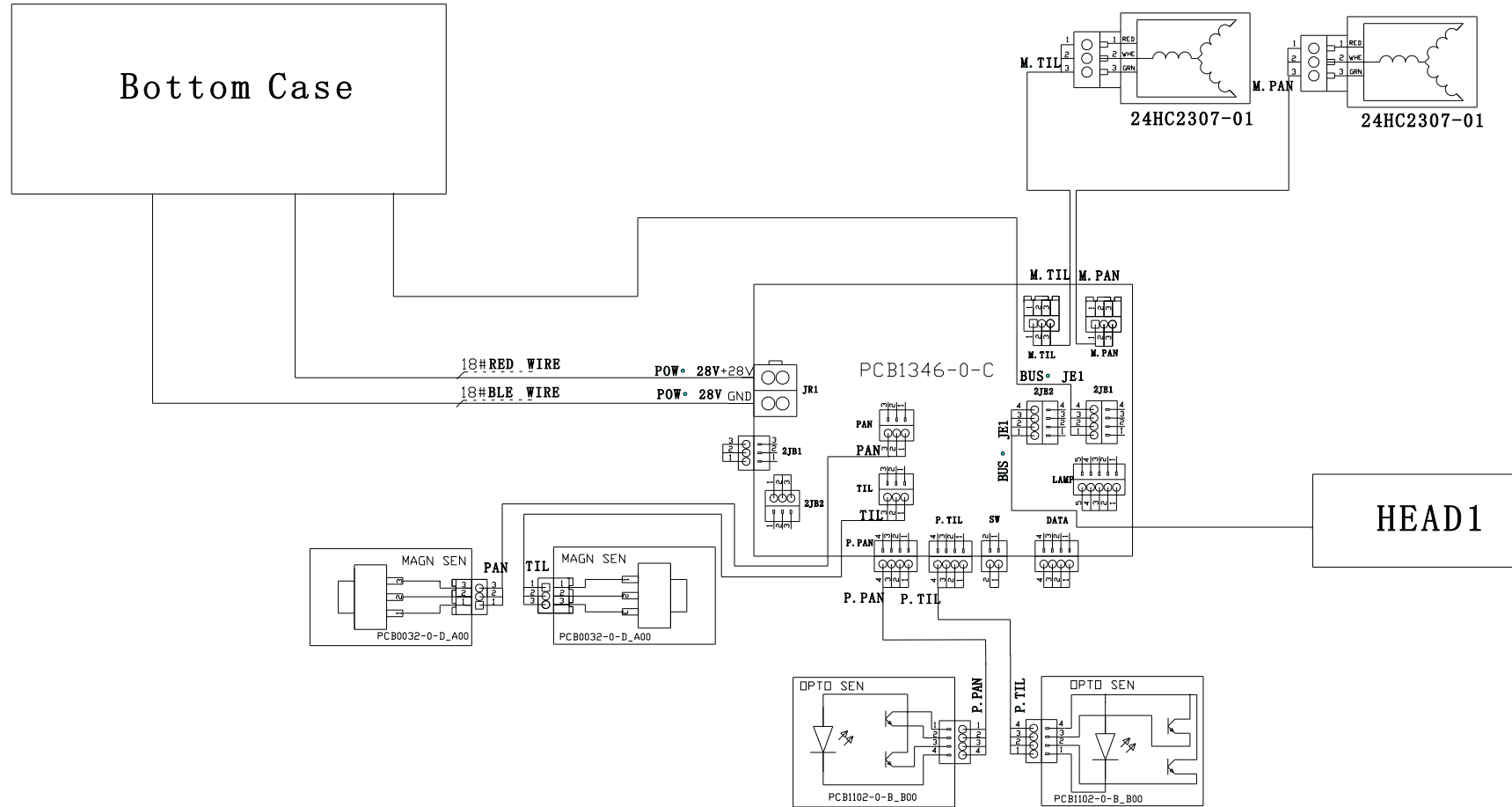
PRODUCT		STAGE			
PIC. NO.		A001-IC420L-TJ_A00			
EDIT		FILE NO.	HY-EXP-1918A	PAGE NO.	21/50
CHECK		VERSION	V200_001	DATE	2018.07.20
APPROVE		ECN NO.		DATE	

Bottom Case



PRODUCT		STAGE			
PIC. NO.		STAGE ELECTRIC (1/4)			
EDIT		FILE NO.	HY-WIJL-G405	PAGE NO.	22/50
CHECK		VERSION	NR	DATE	2018.07.20
APPROVE		ECN NO.		DATE	

ARM



PRODUCT		STAGE			
PIC. NO.		STAGE ELECTRIC (2/4)			
EDIT		FILE NO.	HY-WIJL-G405	PAGE NO.	23/50
CHECK		VERSION	NR	DATE	2018.07.20
APPROVE		ECN NO.		DATE	

HEAD 1

EE92252B1
-000C-G99

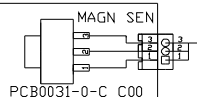
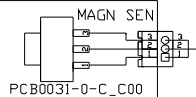
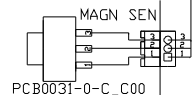
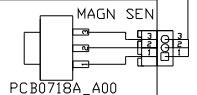
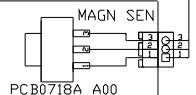
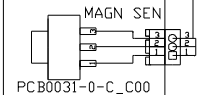
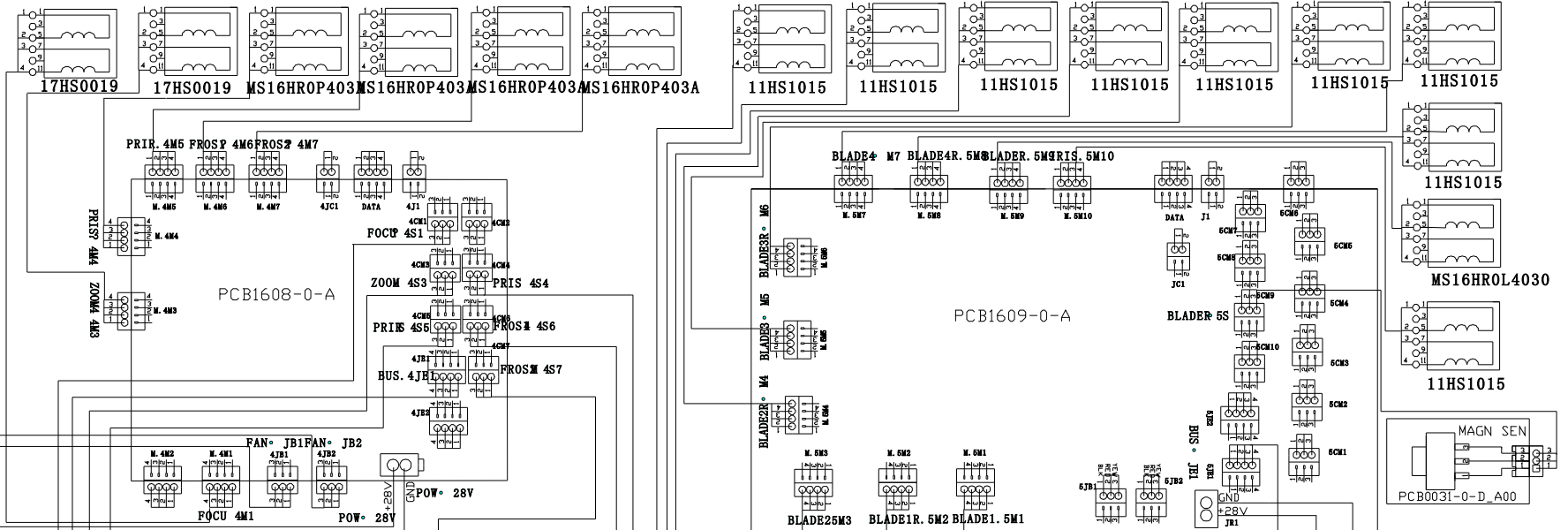


FAN JB2

EE92252B1
-000C-G99



FAN JB1



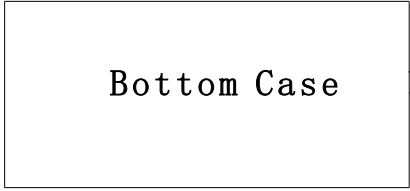
20#BLE_WIRE (2)
20#RED_WIRE (2)

POW 28V
POW 28V
GND
+28V

POW 28V
POW 28V
GND
+28V

18#RED_WIRE
18#BLE_WIRE
18#RED_WIRE
18#BLE_WIRE

20#RED_WIRE
20#BLE_WIRE



16#RED_WIRE POW 28V
16#RED_WIRE POW 28V



BUS JB1

BUS JB4

PCB1111-0-A

BUSP JE2

JB4

JB3

JB2

JB1

JB

BUSP JE

POW 28V

POW 28V

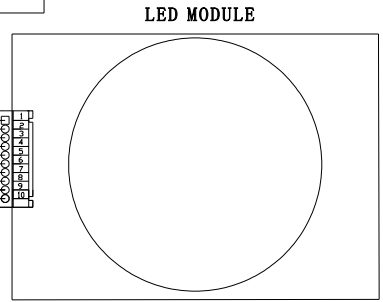
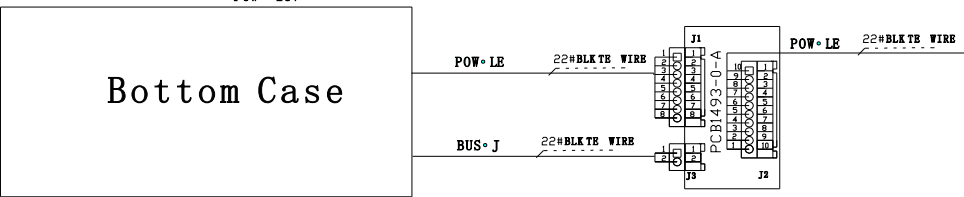
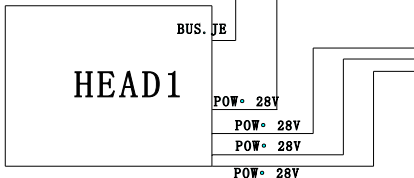
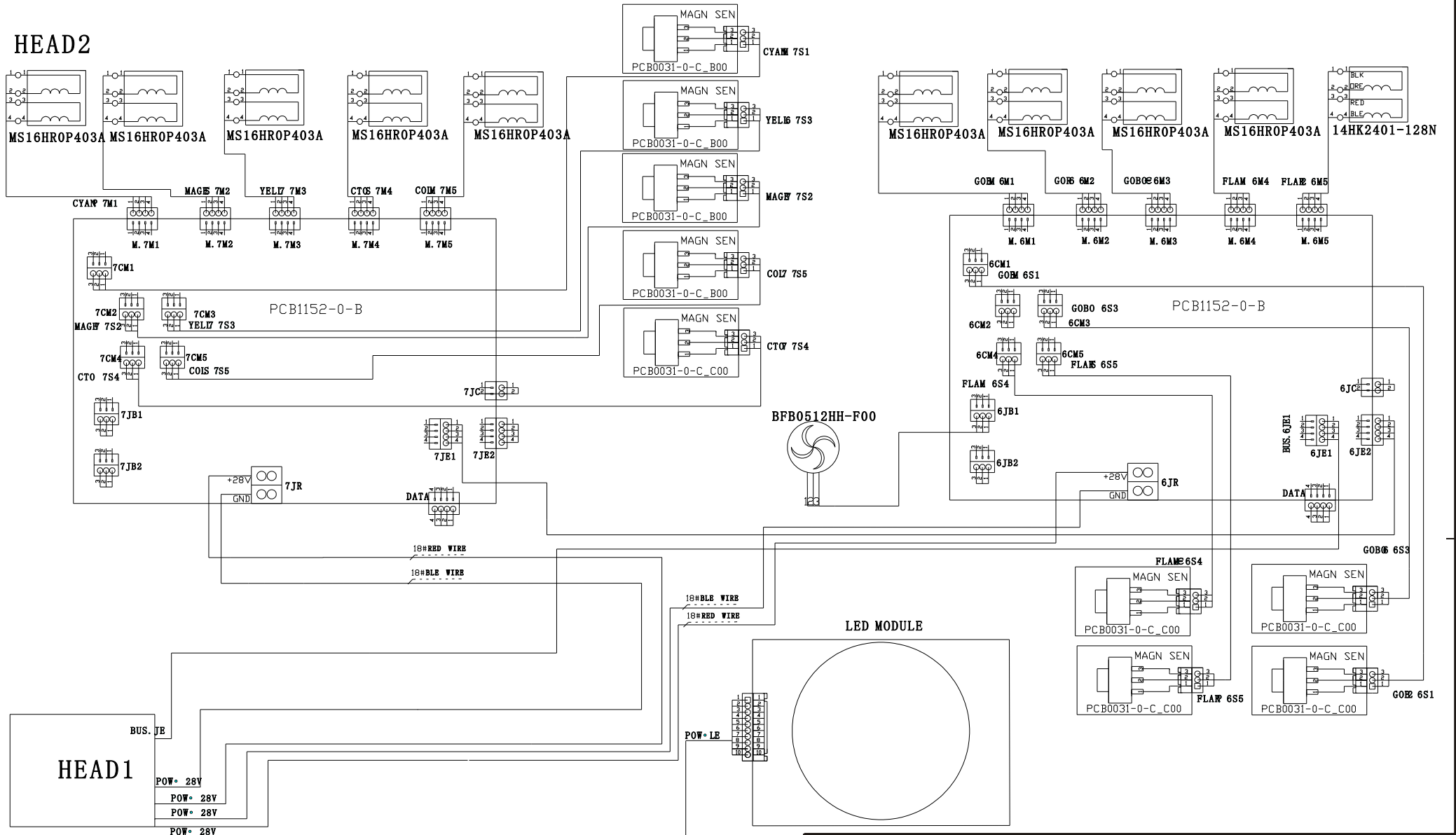
POW 28V

POW 28V

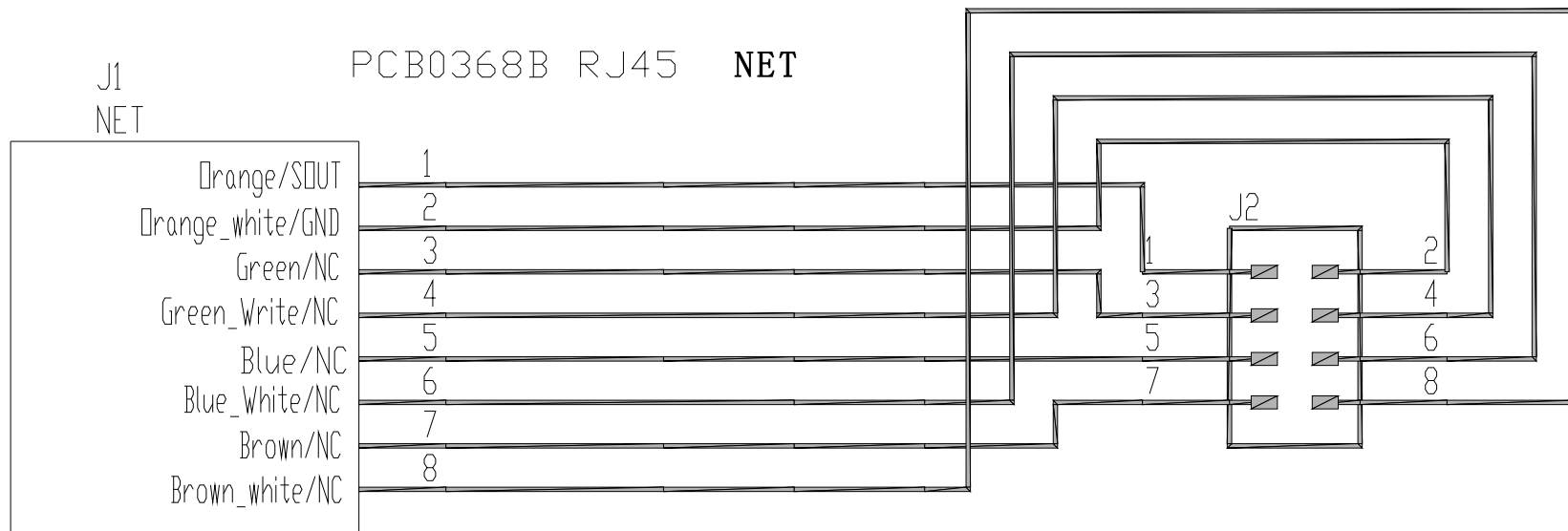
HEAD 2

PRODUCT		STAGE			
PIC. NO.		STAGE ELECTRIC (3/4)			
EDIT		FILE NO.	HY-WIJL-G405	PAGE NO.	24/50
CHECK		VERSION	NR	DATE	2018.07.20
APPROVE		ECN NO.		DATE	

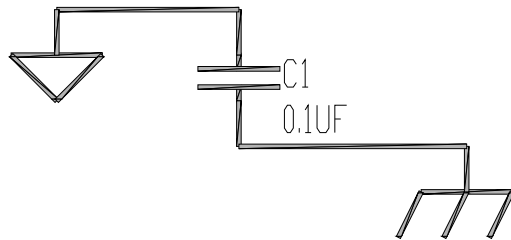
HEAD2



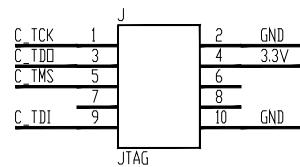
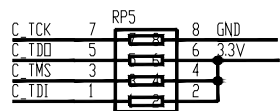
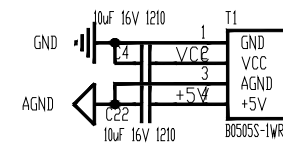
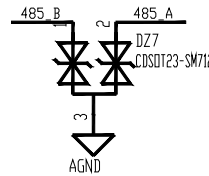
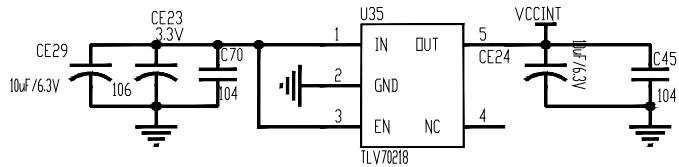
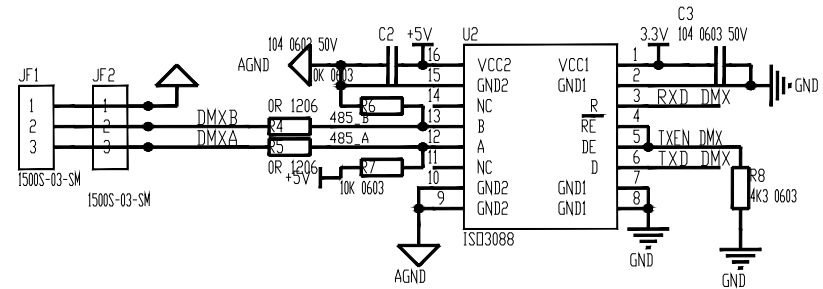
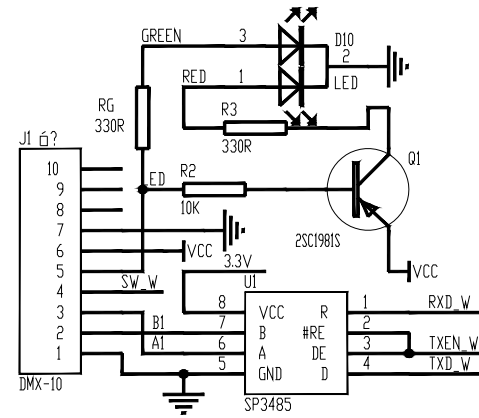
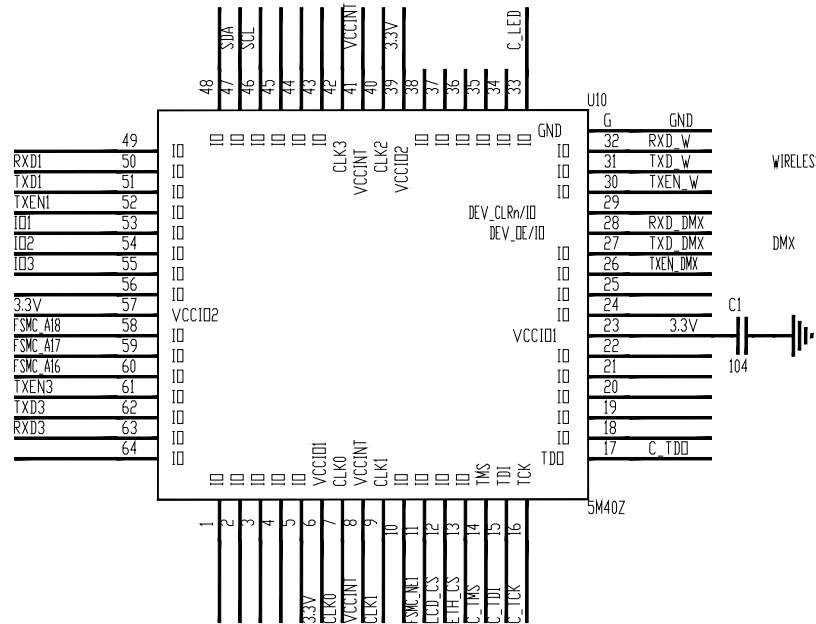
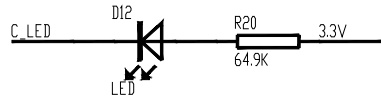
PRODUCT		STAGE			
PIC. NO.		STAGE ELECTRIC (4/4)			
EDIT		FILE NO.	HY-WIJL-G405	PAGE NO.	25/50
CHECK		VERSION	NR	DATE	2018.07.20
APPROVE		ECN NO.		DATE	



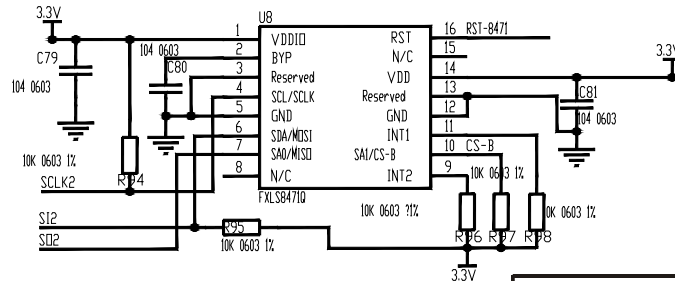
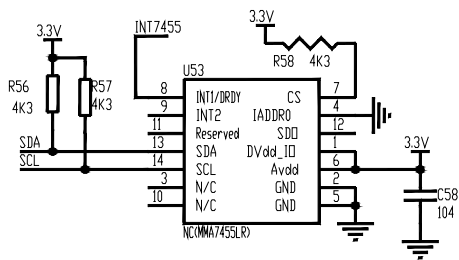
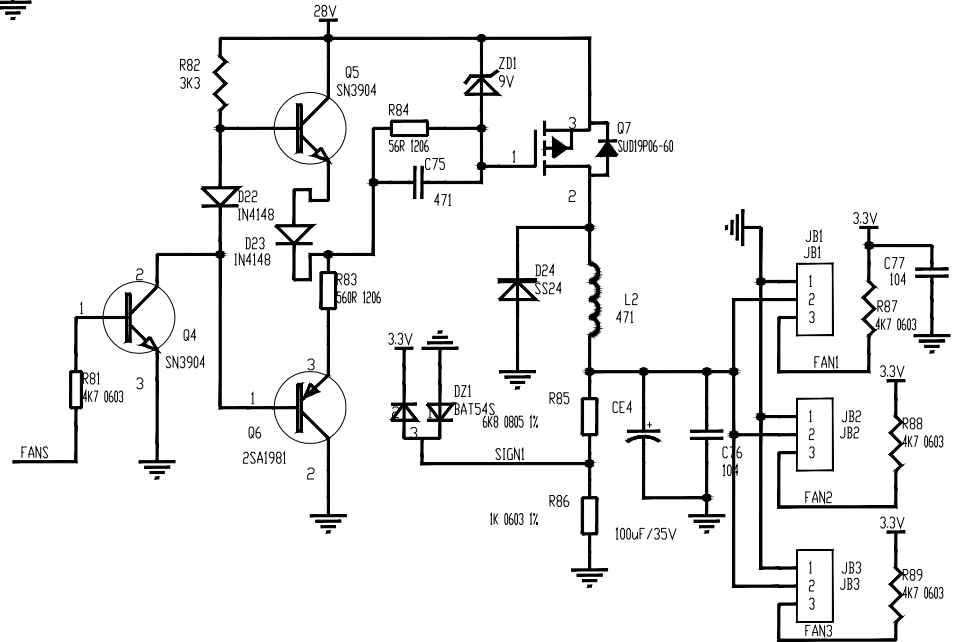
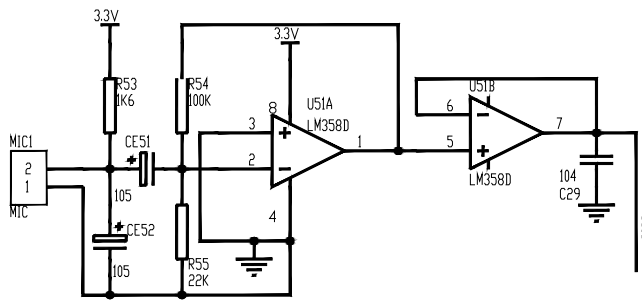
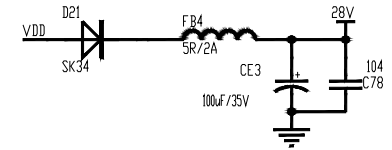
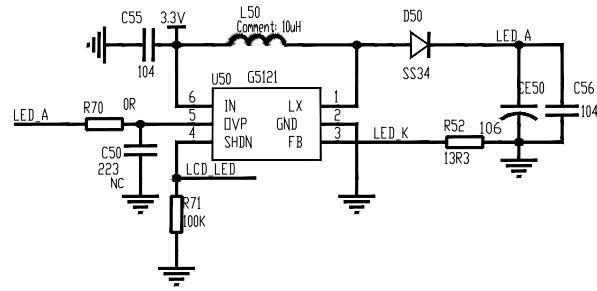
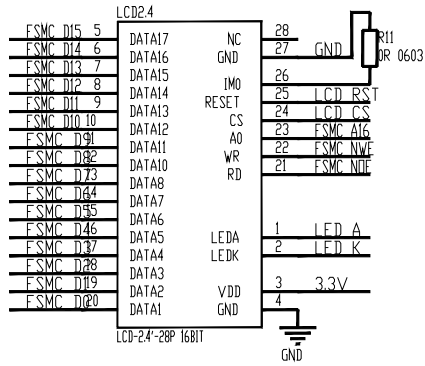
R1-R4 0R/0805



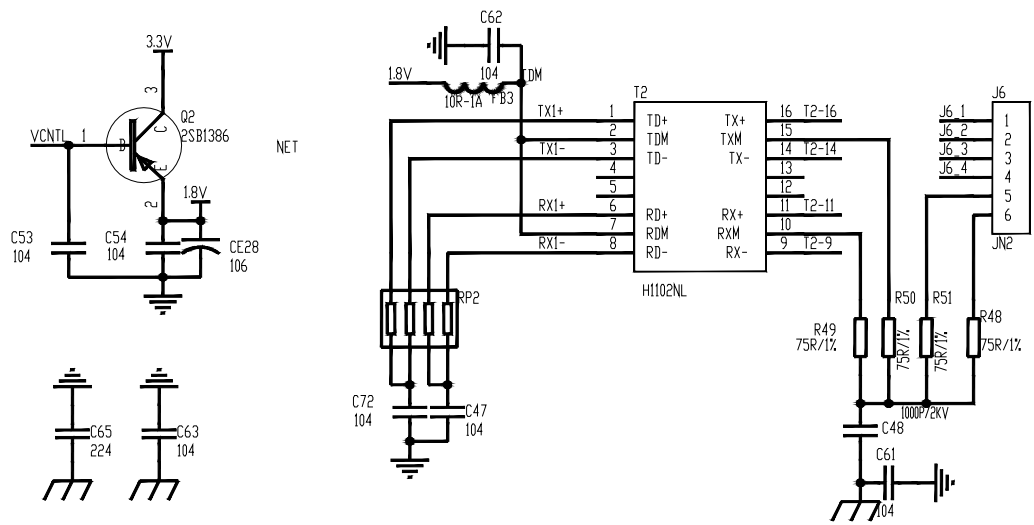
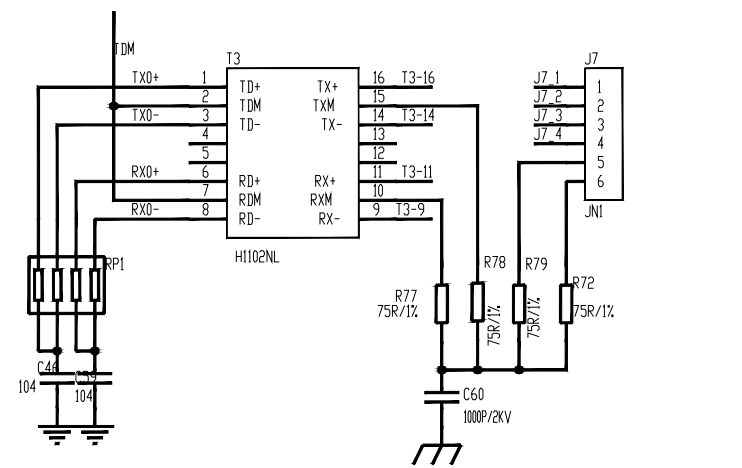
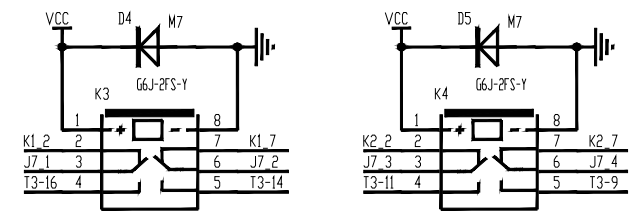
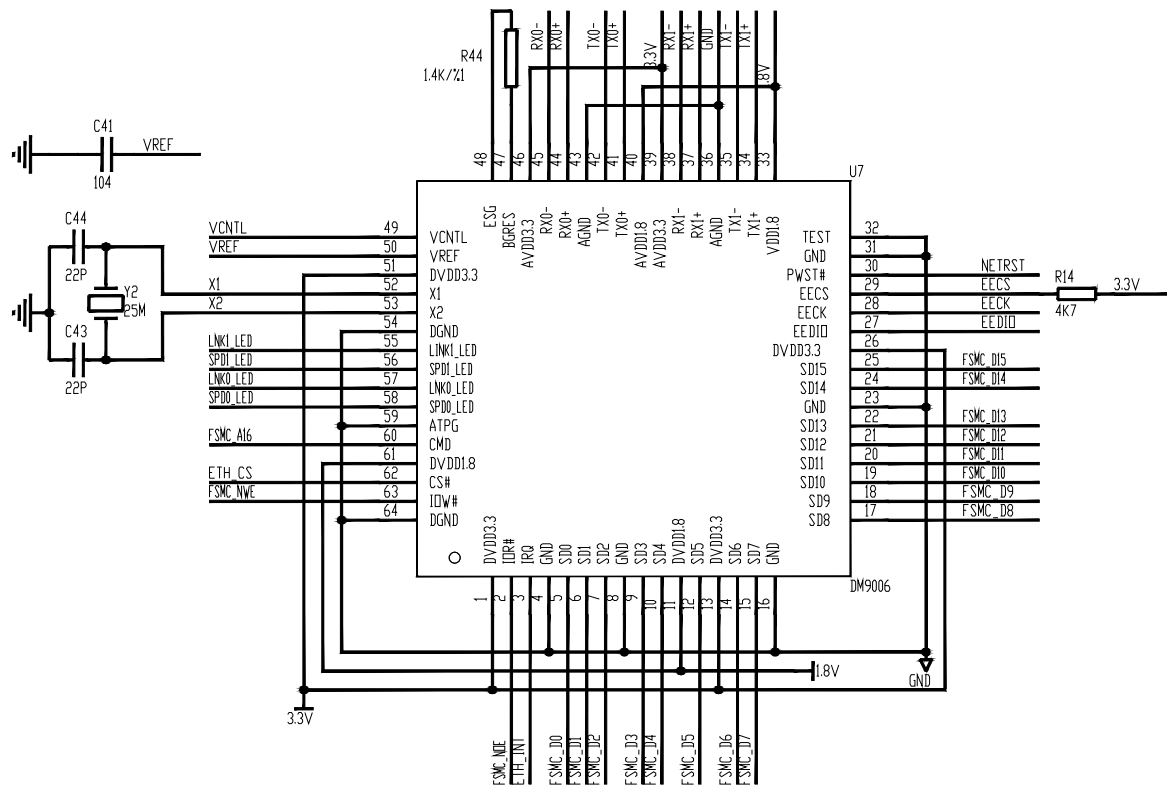
PRODUCT		STAGE			
PIC. NO.		PCB0368B SCHEME			
EDIT		FILE NO.	HY-WIEC-0480	PAGE NO.	26/50
CHECK		VERSION	NR	DATE	2018.07.20
APPROVE		ECN NO.		DATE	



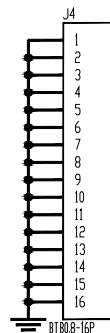
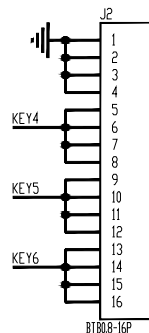
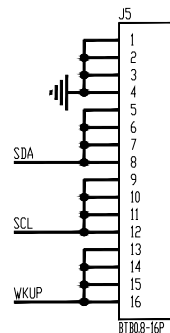
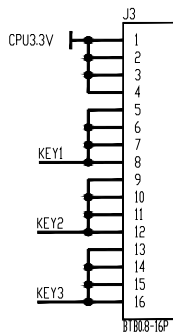
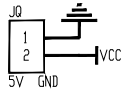
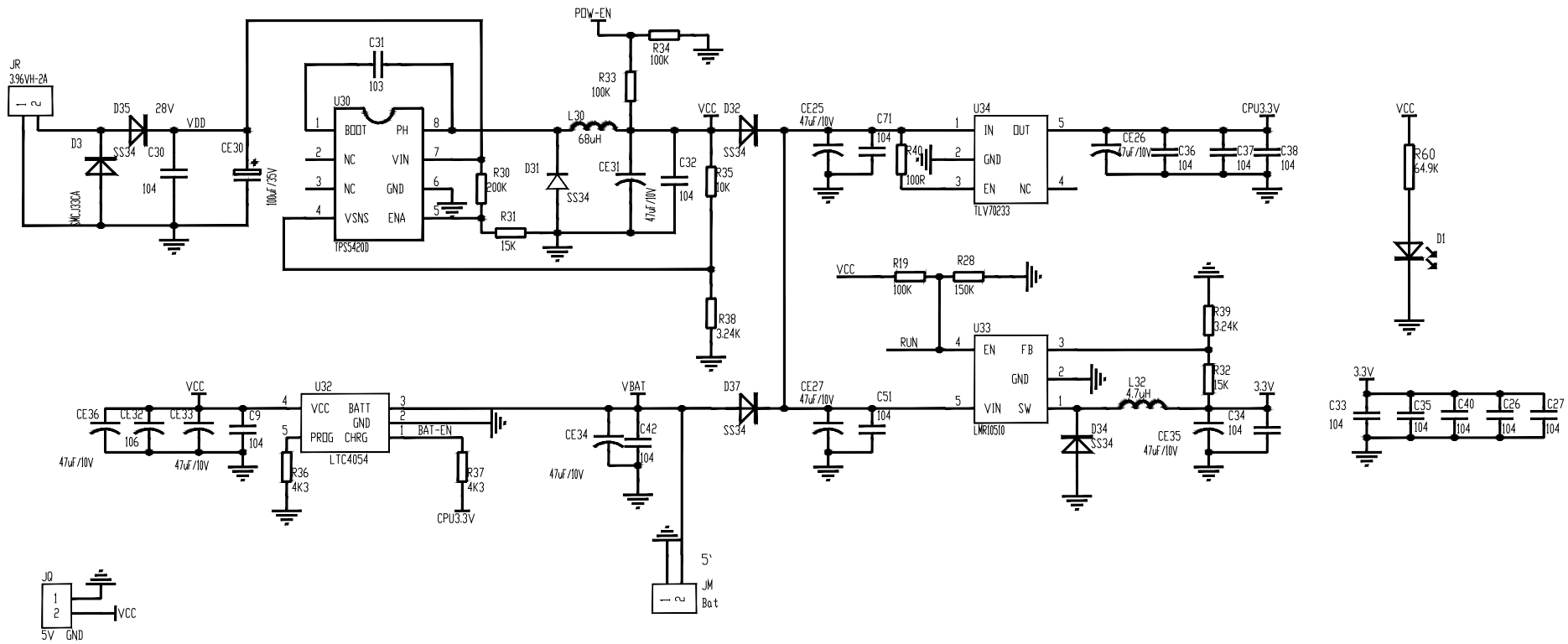
PRODUCT		STAGE			
PIC. NO.		PCB1276-0-A SCHEME (2/6)			
EDIT		FILE NO.	HY-WIEC-1513	PAGE NO.	28/50
CHECK		VERSION	NR	DATE	2018.07.20
APPROVE		ECN NO.		DATE	



PRODUCT		STAGE			
PIC. NO.		PCB1276-0-A SCHEME (3/6)			
EDIT		FILE NO.	HY-WIEC-1513	PAGE NO.	29/50
CHECK		VERSION	NR	DATE	2018. 07. 20
APPROVE		ECN NO.		DATE	



PRODUCT		STAGE			
PIC. NO.		PCB1276-0-A SCHEME (4/6)			
EDIT		FILE NO.	HY-WIEC-1513	PAGE NO.	30/50
CHECK		VERSION	NR	DATE	2018. 07. 20
APPROVE		ECN NO.		DATE	



PRODUCT		STAGE			
PIC. NO.		PCB1276-0-A SCHEME (5/6)			
EDIT		FILE NO.	HY-WIEC-1513	PAGE NO.	31/50
CHECK		VERSION	NR	DATE	2018.07.20
APPROVE		ECN NO.		DATE	

01
CPU.SCH

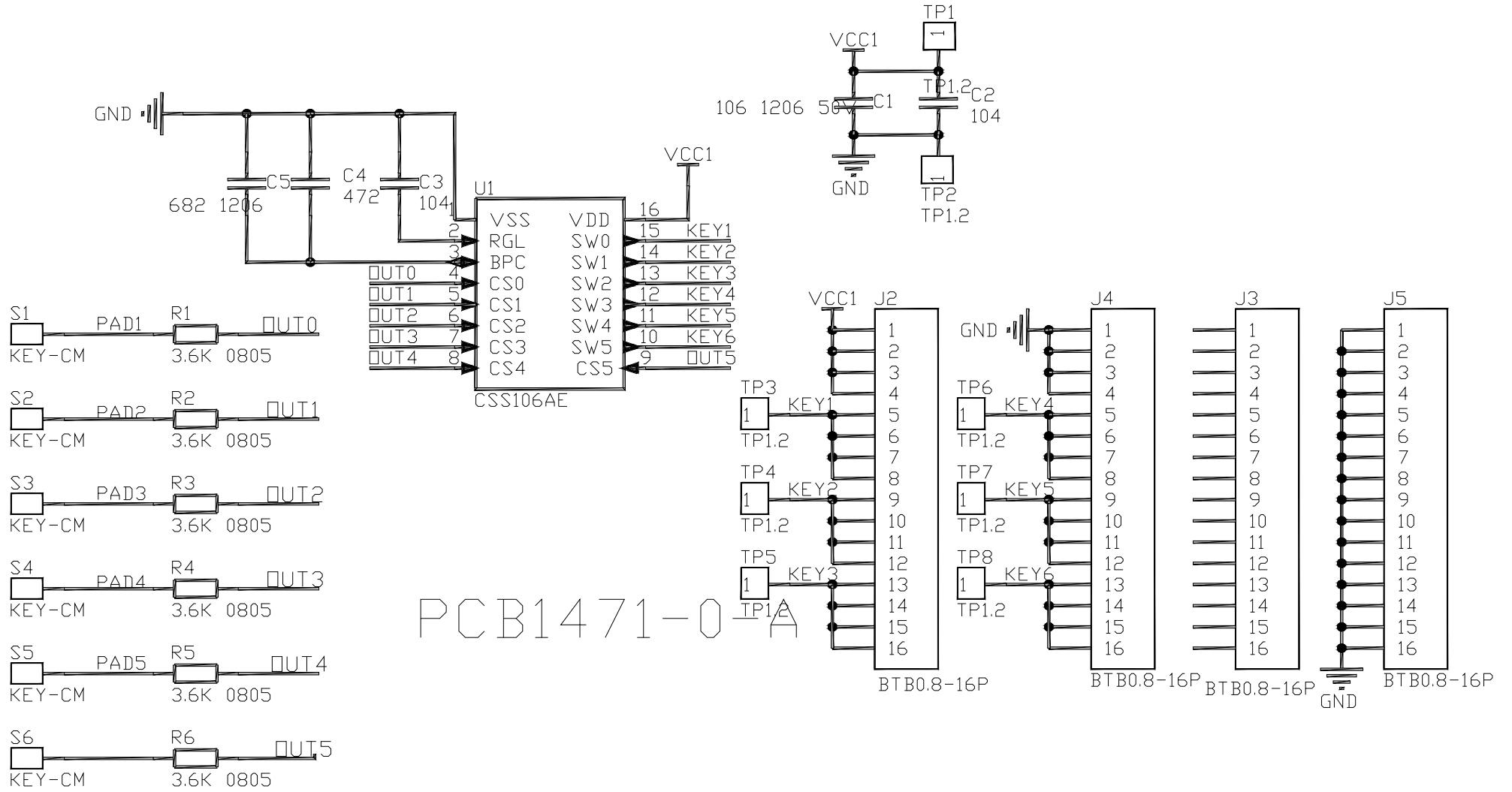
02
DMX.Sch

03
NET.Sch

04
PDWERSch

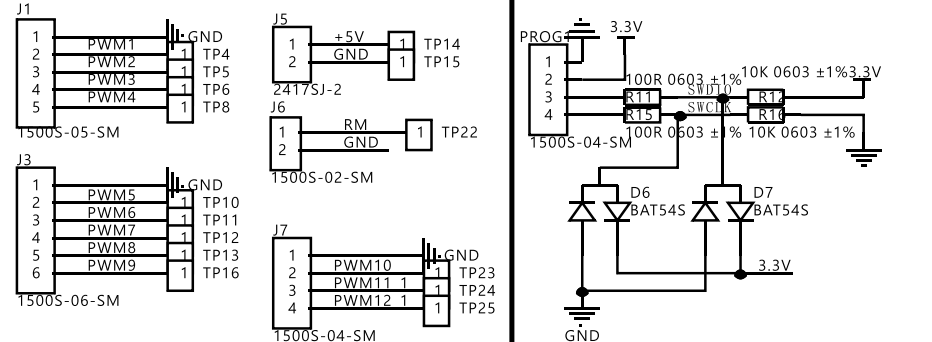
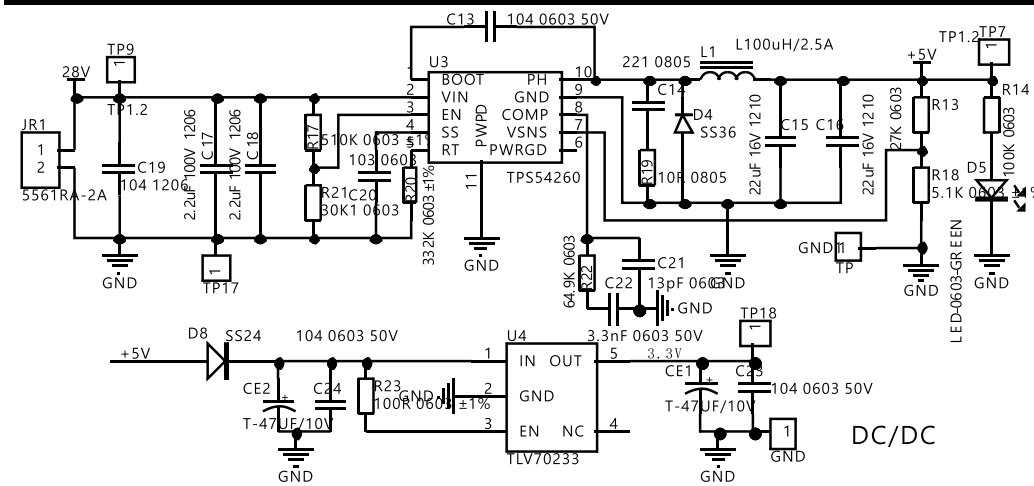
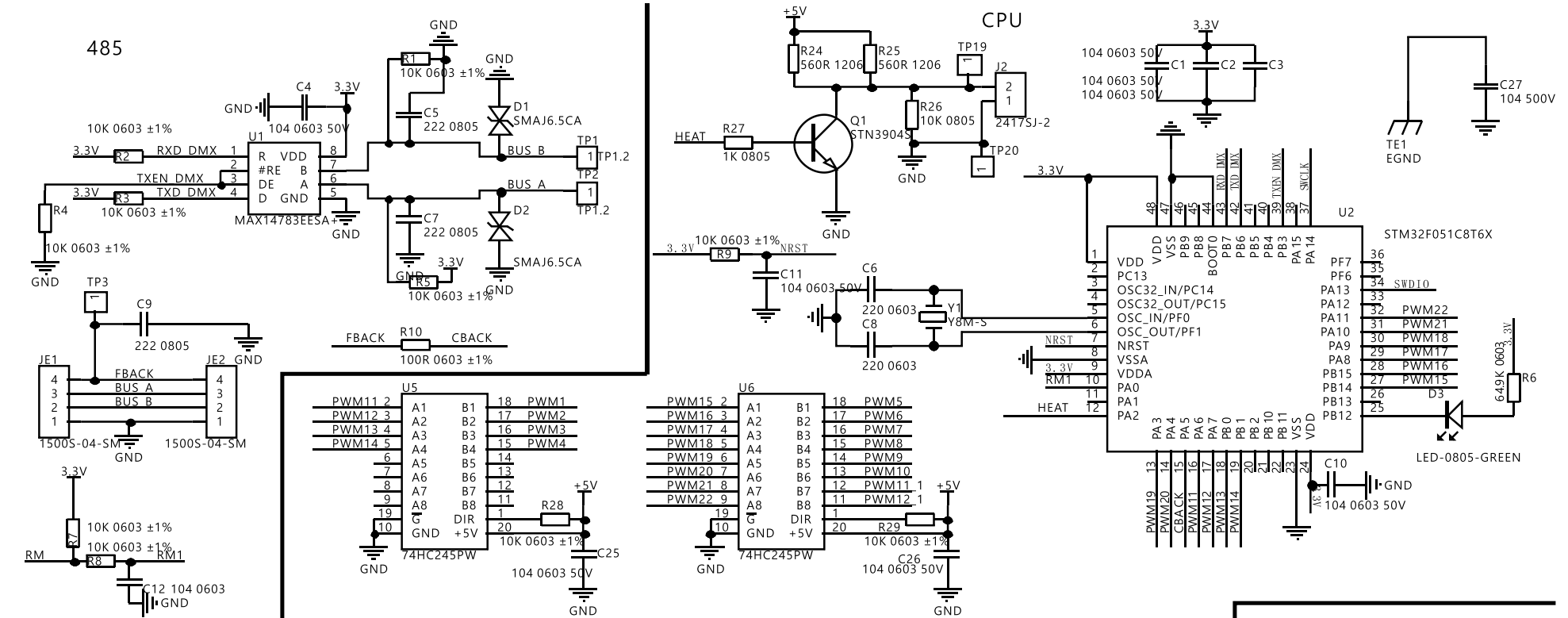
05
LCD.Sch

PRODUCT		STAGE			
PIC. NO.		PCB1276-0-A SCHEME (6/6)			
EDIT		FILE NO.	HY-WIEC-1513	PAGE NO.	32/50
CHECK		VERSION	NR	DATE	2018.07.20
APPROVE		ECN NO.		DATE	

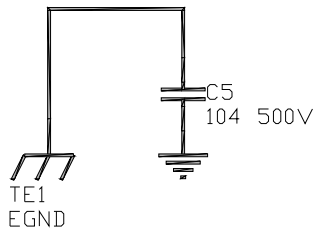
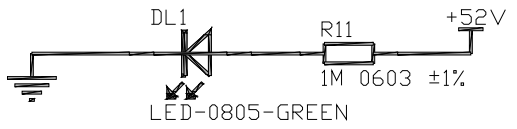
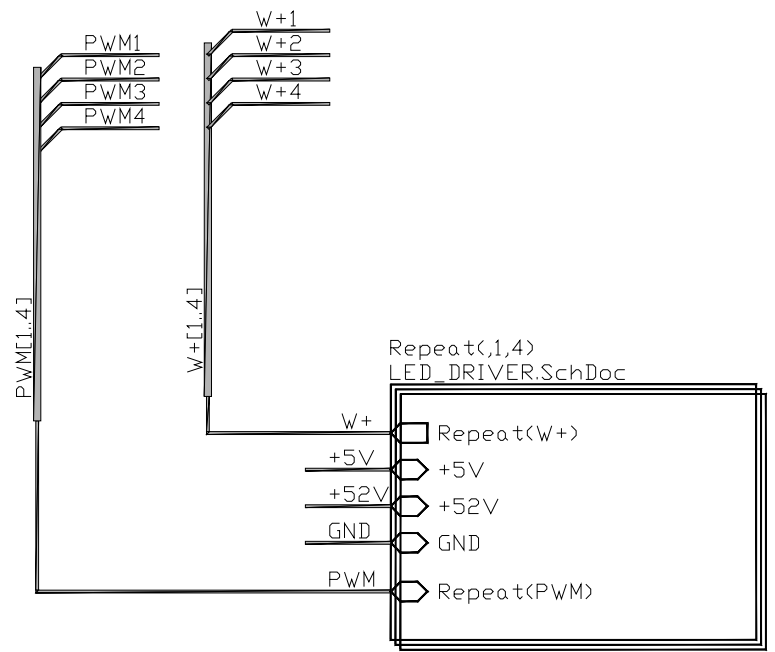
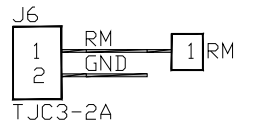
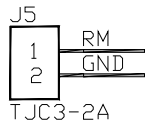
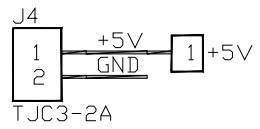
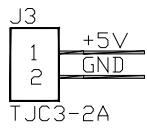
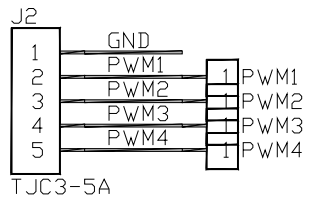
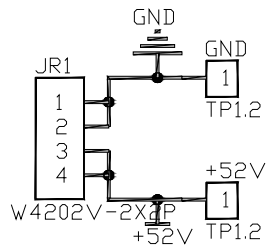
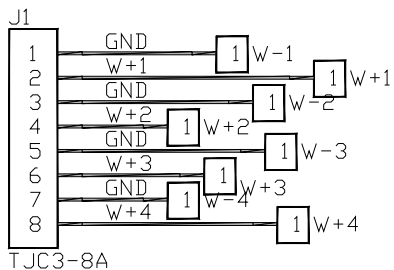


PRODUCT		STAGE			
PIC. NO.		PCB1471-0-A SCHEME			
EDIT		FILE NO.	HY-WIEC-1743	PAGE NO.	33/50
CHECK		VERSION	NR	DATE	2018.07.20
APPROVE		ECN NO.		DATE	

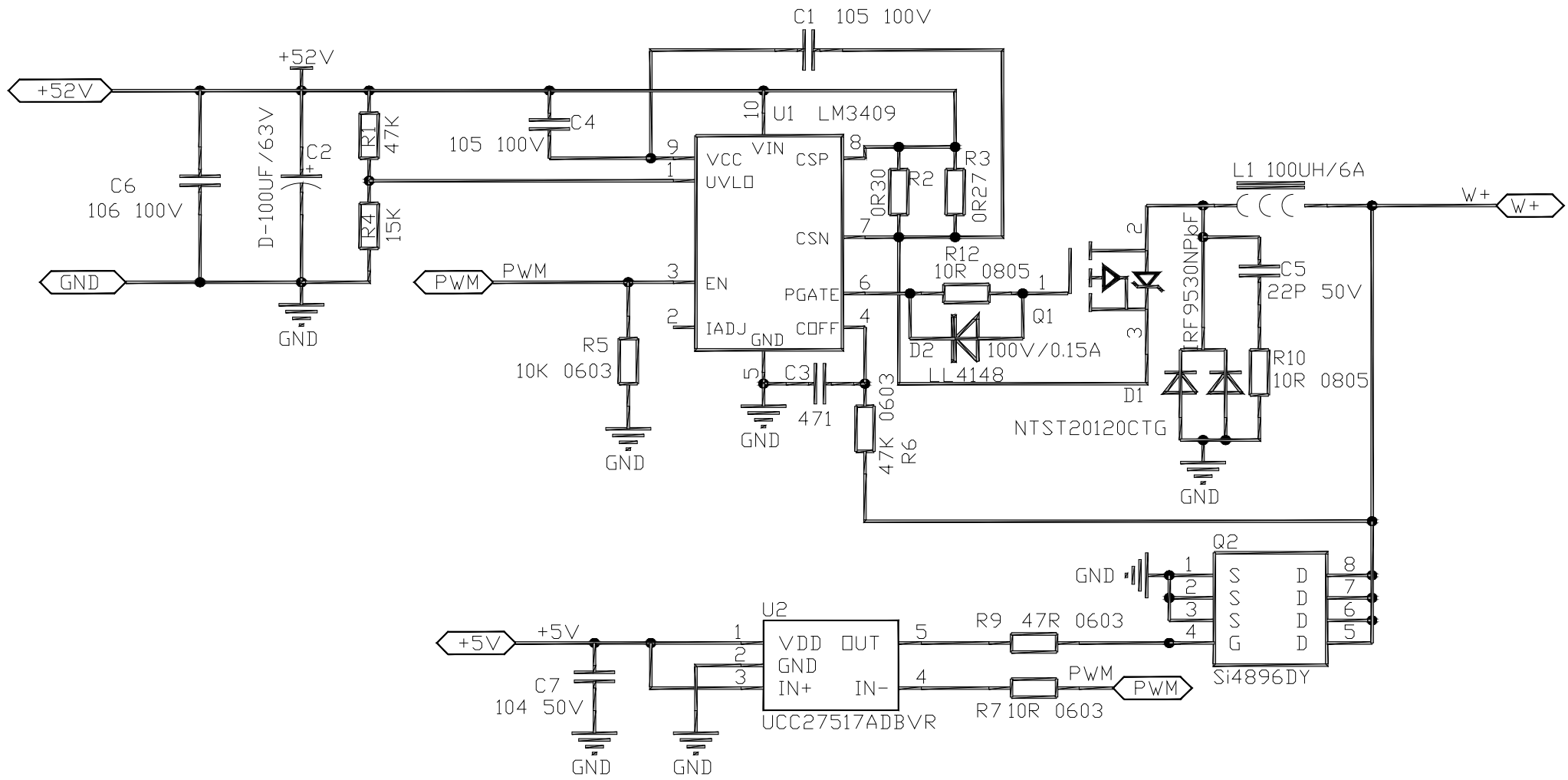
485



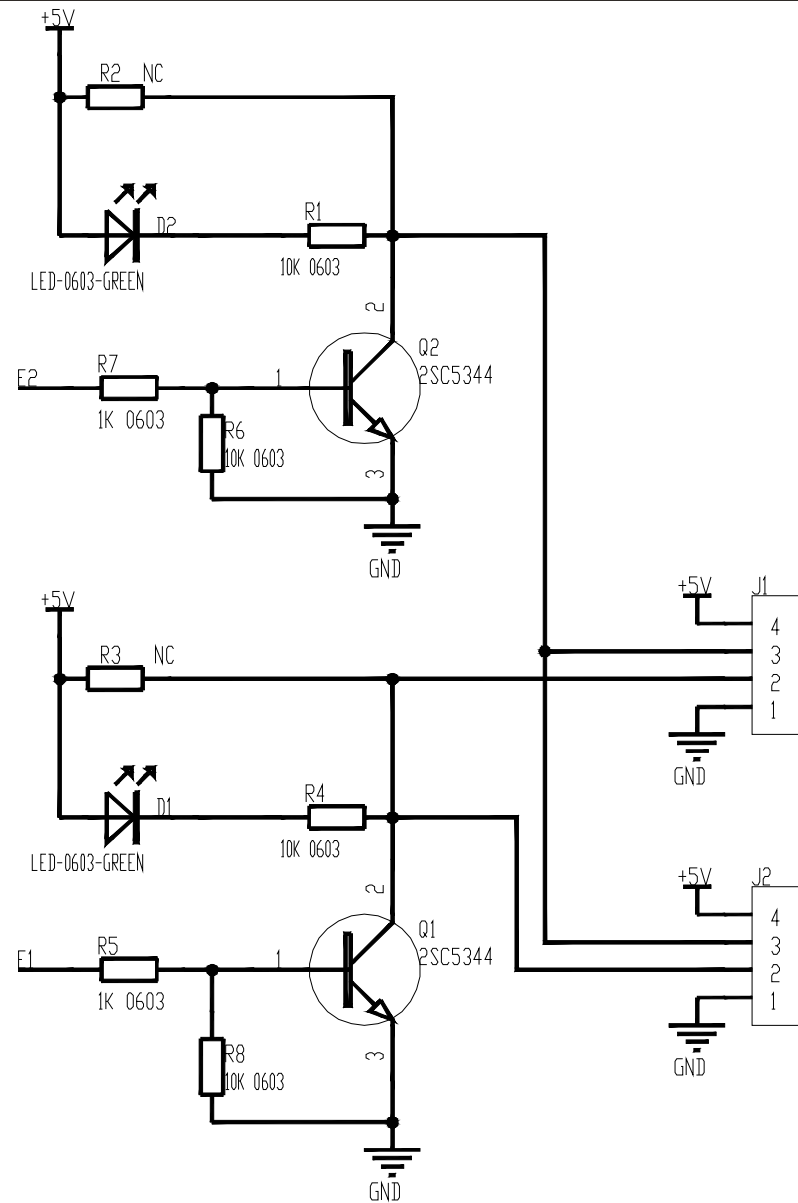
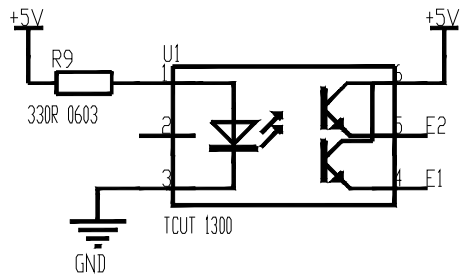
PRODUCT		STAGE			
PIC. NO.		PCB1432-0-A SCHEME			
EDIT		FILE NO.	HY-WIEC-1765	PAGE NO.	34/50
CHECK		VERSION	NR	DATE	2018.07.20
APPROVE		ECN NO.		DATE	



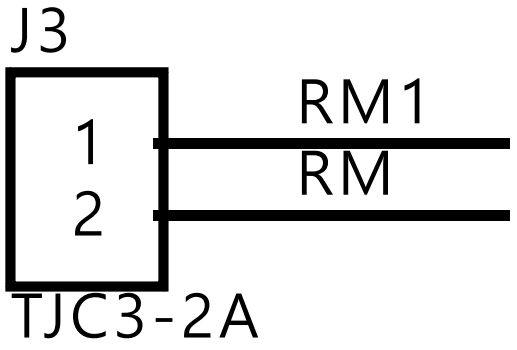
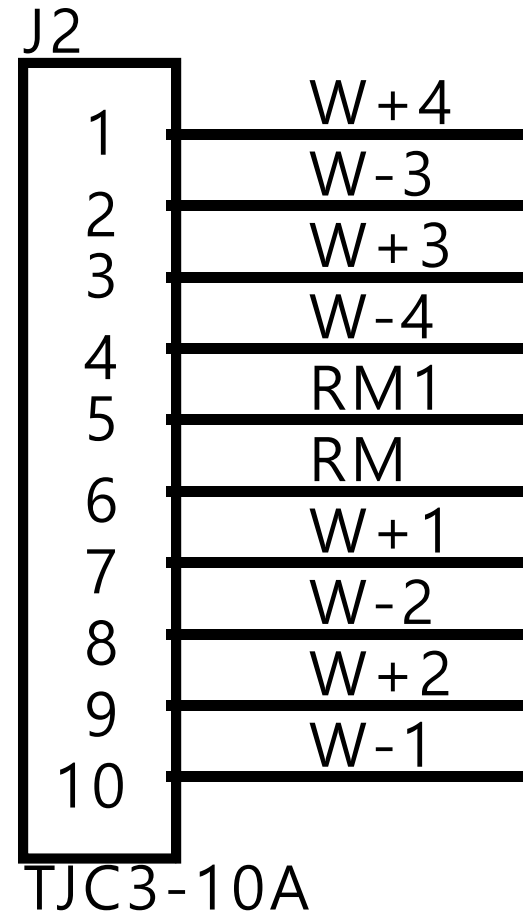
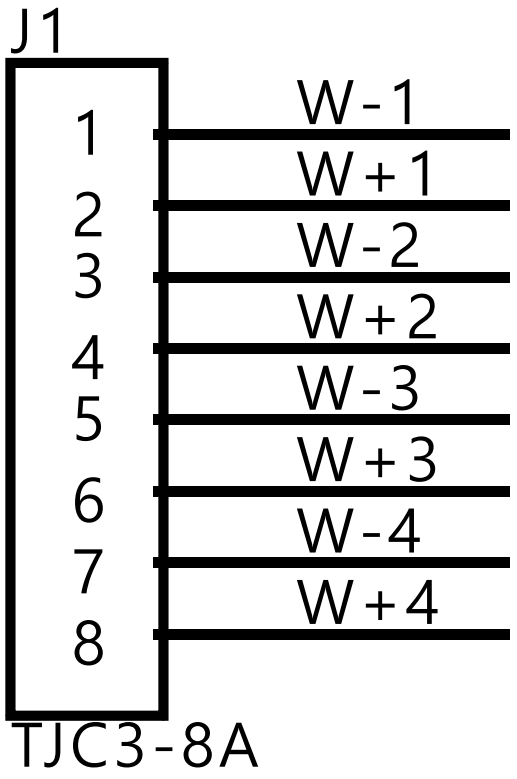
PRODUCT		STAGE			
PIC. NO.		PCB1405-0-B SCHEME (1/2)			
EDIT		FILE NO.	HY-WIEC-1689	PAGE NO.	35/50
CHECK		VERSION	NR	DATE	2018.07.20
APPROVE		ECN NO.		DATE	



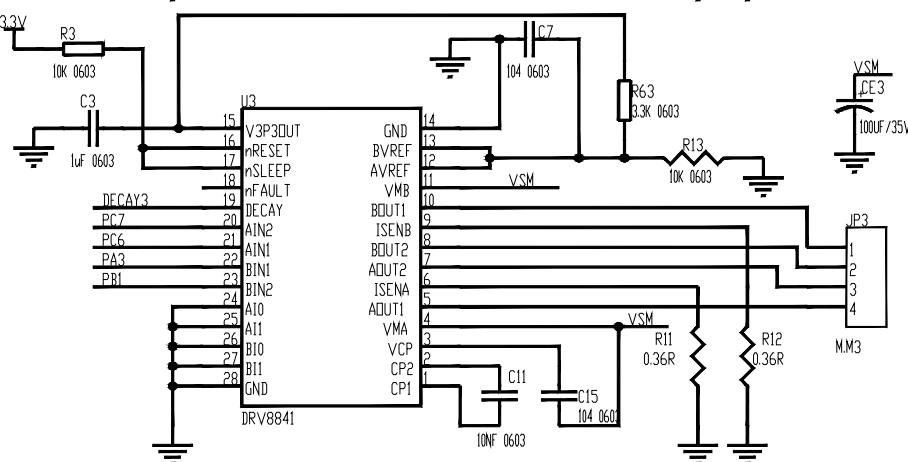
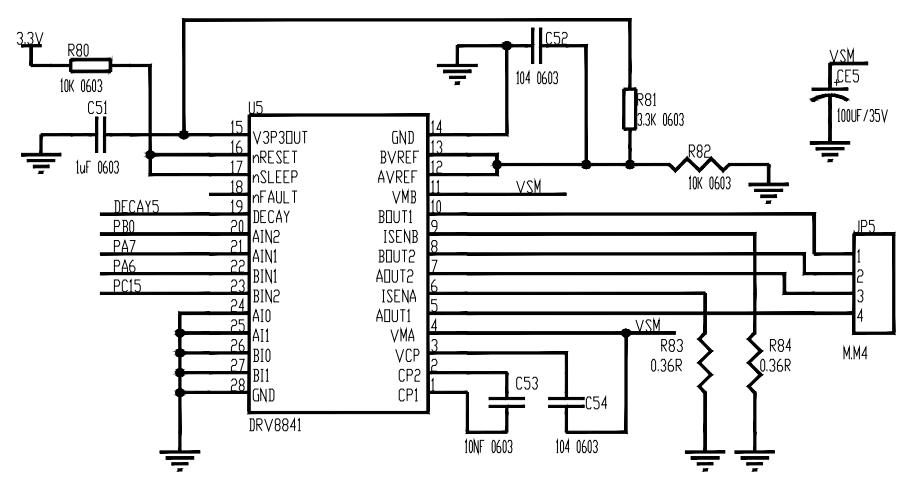
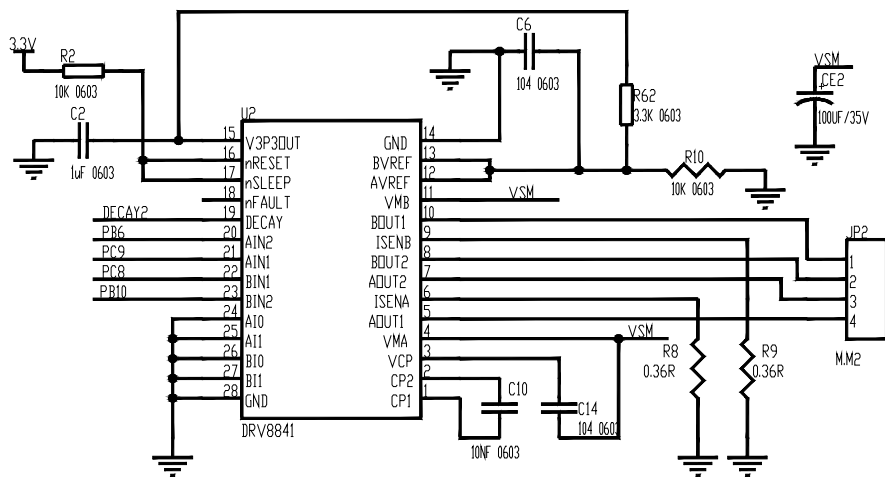
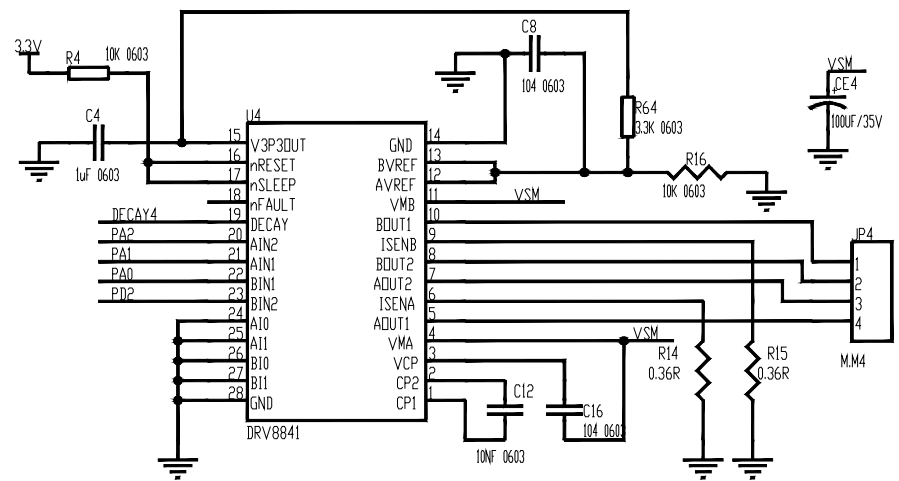
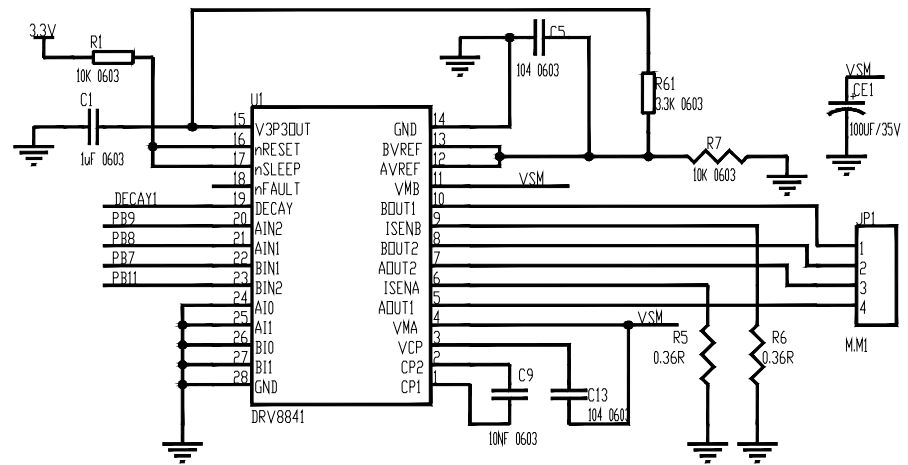
PRODUCT		STAGE			
PIC. NO.		PCB1405-0-B SCHEME (2/2)			
EDIT		FILE NO.	HY-WIEC-1689	PAGE NO.	36/50
CHECK		VERSION	NR	DATE	2018.07.20
APPROVE		ECN NO.		DATE	



PRODUCT		STAGE			
PIC. NO.		PCB1102-0-B SCHEME			
EDIT		FILE NO.	HY-WIEC-1354	PAGE NO.	37/50
CHECK		VERSION	NR	DATE	2018.08.20
APPROVE		ECN NO.		DATE	

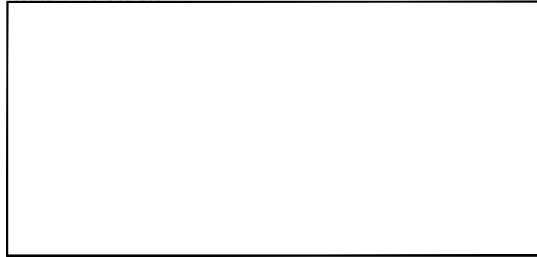


PRODUCT		STAGE			
PIC. NO.		PCB1493-0-A SCHEME			
EDIT		FILE NO.	HY-WIEC-1800	PAGE NO.	39/50
CHECK		VERSION	NR	DATE	2018.07.20
APPROVE		ECN NO.		DATE	

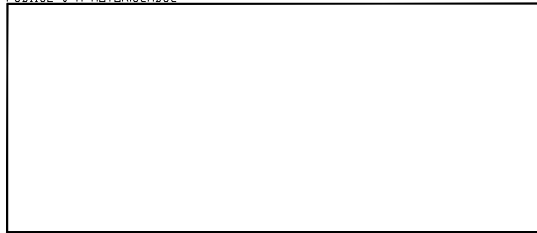


PRODUCT		STAGE			
PIC. NO.		PCB1152-0-B SCHEME (2/4)			
EDIT		FILE NO.	HY-WIEC-1393	PAGE NO.	41/50
CHECK		VERSION	NR	DATE	2018.07.20
APPROVE		ECN NO.		DATE	

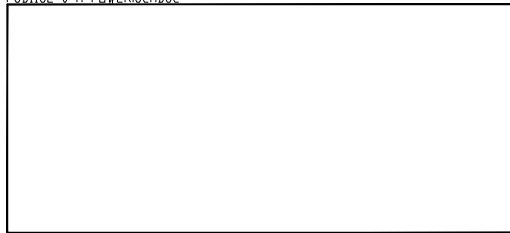
01
PCB1152-0-A_CPU.SchDoc



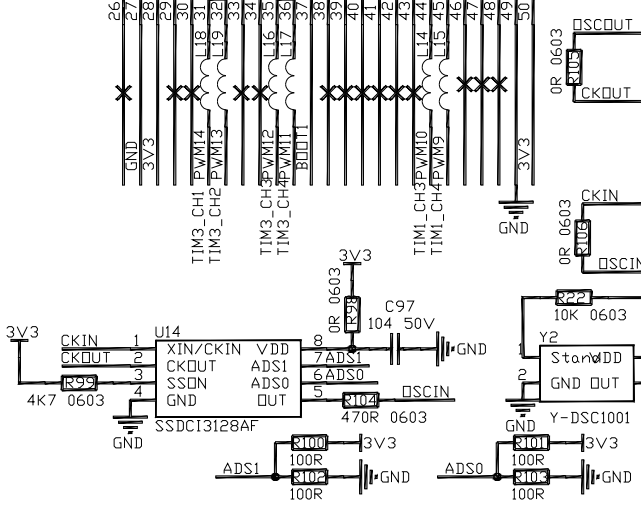
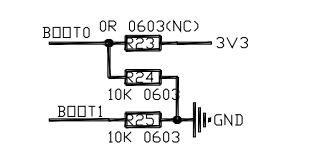
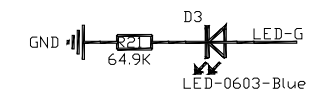
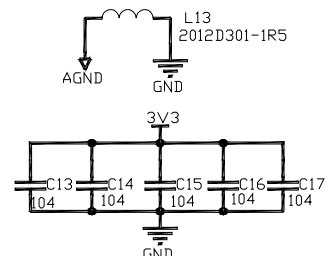
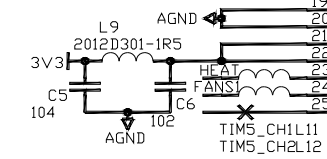
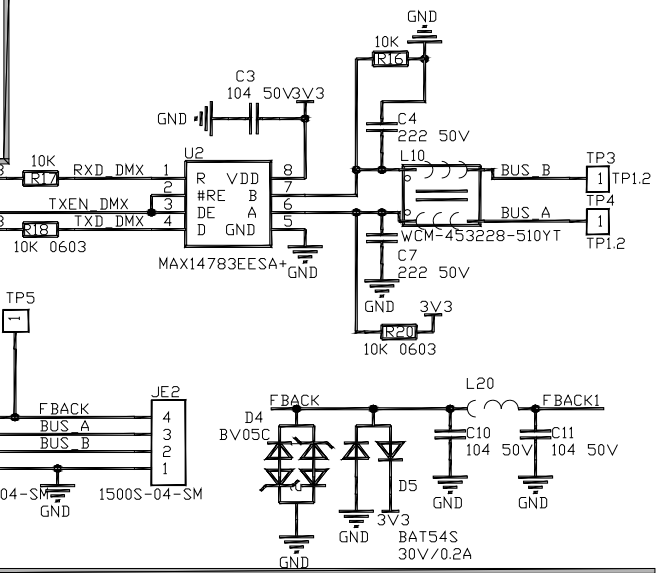
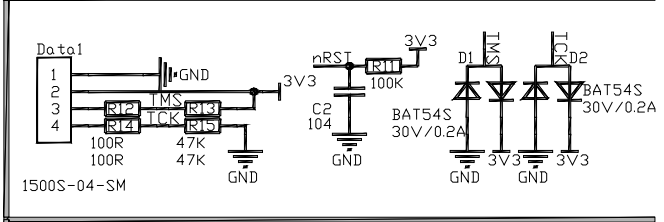
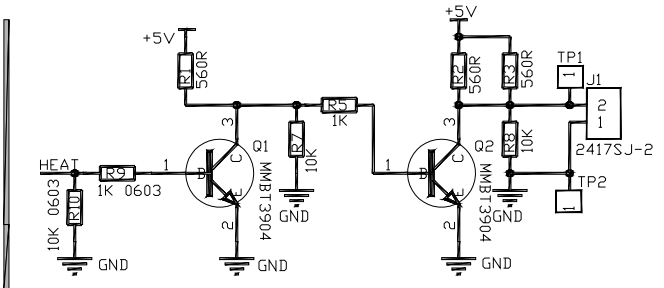
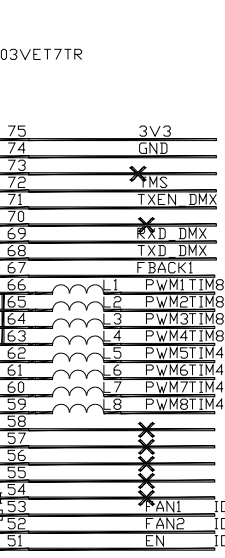
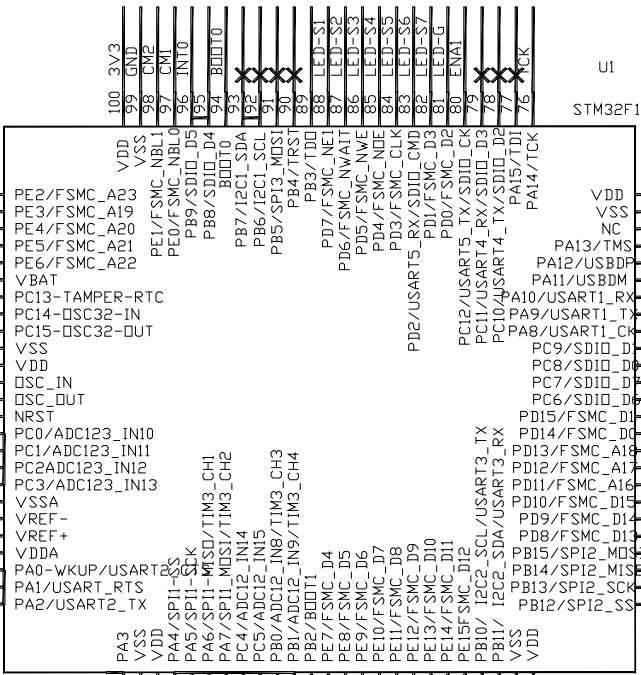
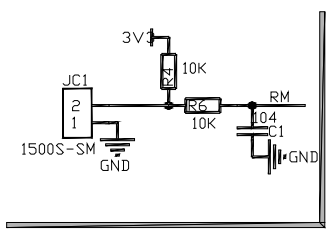
02
PCB1152-0-A_MOTOR.SchDoc



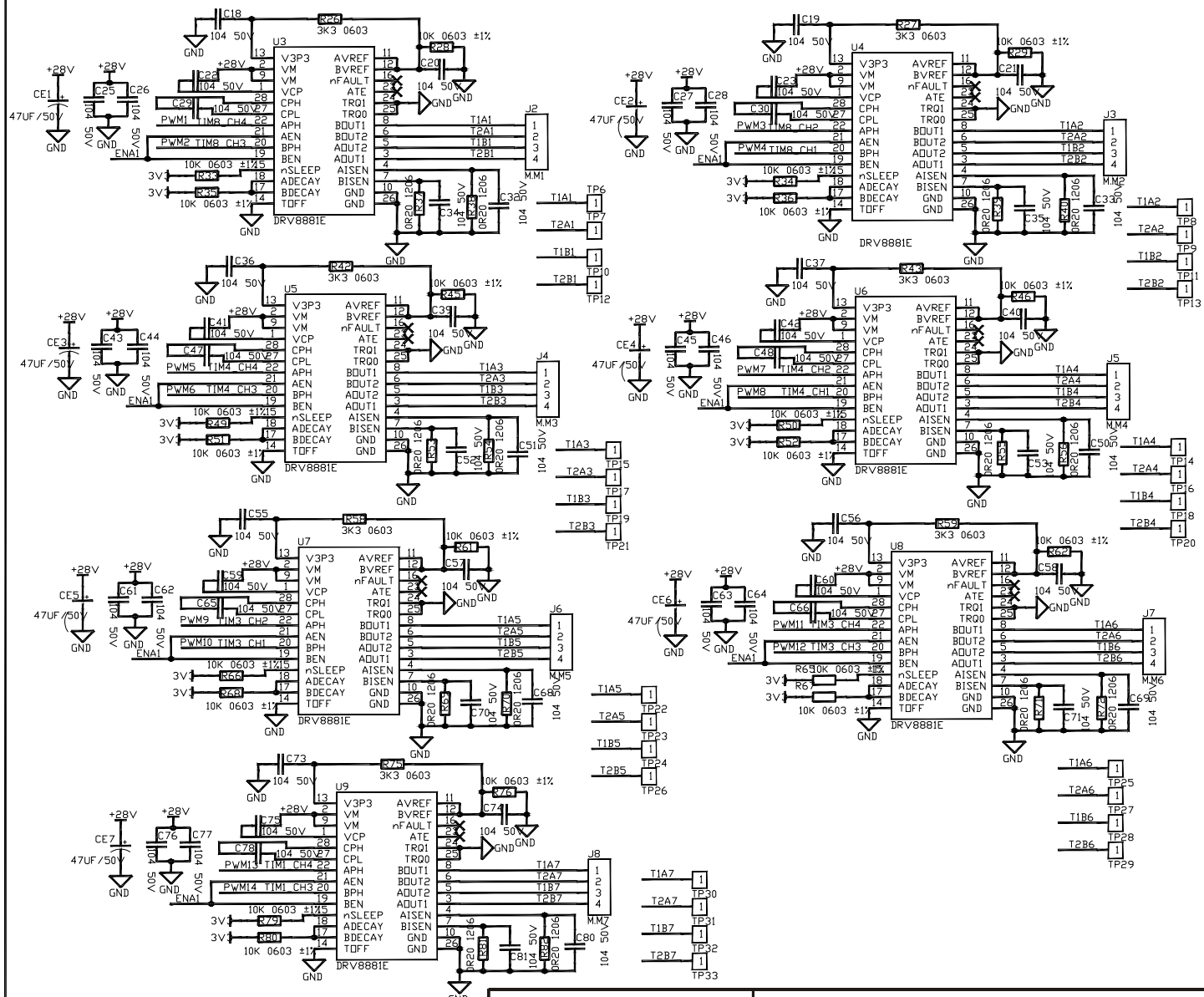
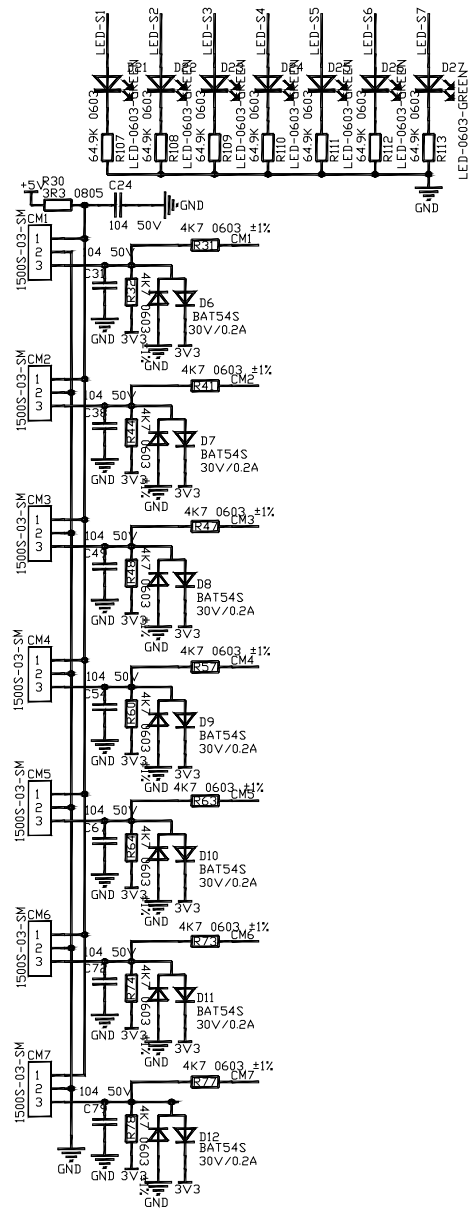
03
PCB1152-0-A_POWER.SchDoc



PRODUCT		STAGE			
PIC. NO.		PCB1152-0-B SCHEME (4/4)			
EDIT		FILE NO.	HY-WIEC-1393	PAGE NO.	43/50
CHECK		VERSION	NR	DATE	2018.07.20
APPROVE		ECN NO.		DATE	

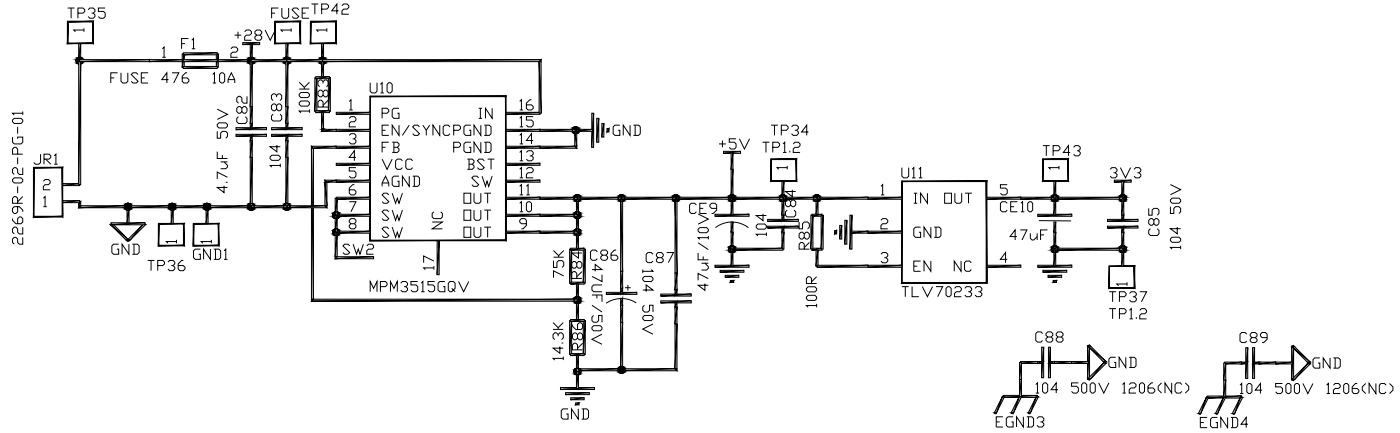


PRODUCT		STAGE			
PIC. NO.		PCB1608-0-A SCHEME (1/3)			
EDIT		FILE NO.	HY-WIEC-1854	PAGE NO.	44/50
CHECK		VERSION	NR	DATE	2018.07.20
APPROVE		ECN NO.		DATE	

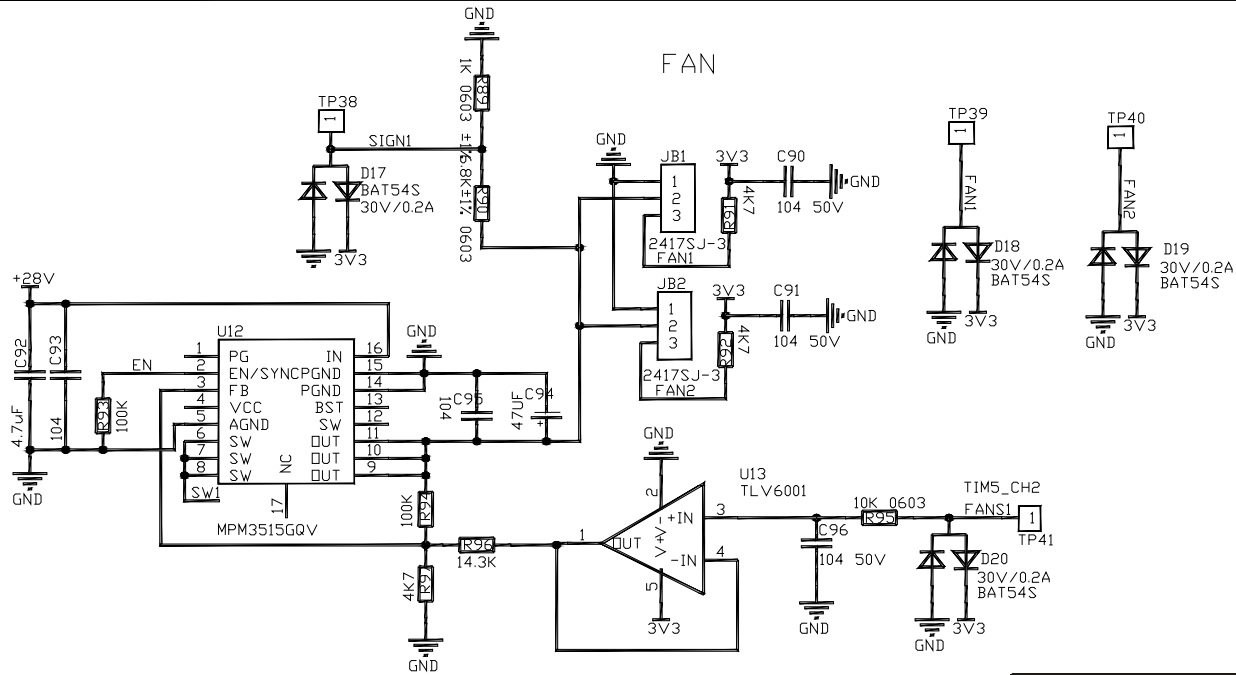


PRODUCT		STAGE			
PIC. NO.		PCB1608-0-A SCHEME (2/3)			
EDIT		FILE NO.	HY-WIEC-1854	PAGE NO.	45/50
CHECK		VERSION	NR	DATE	2018.07.20
APPROVE		ECN NO.		DATE	

POWER(5V-3.3V)

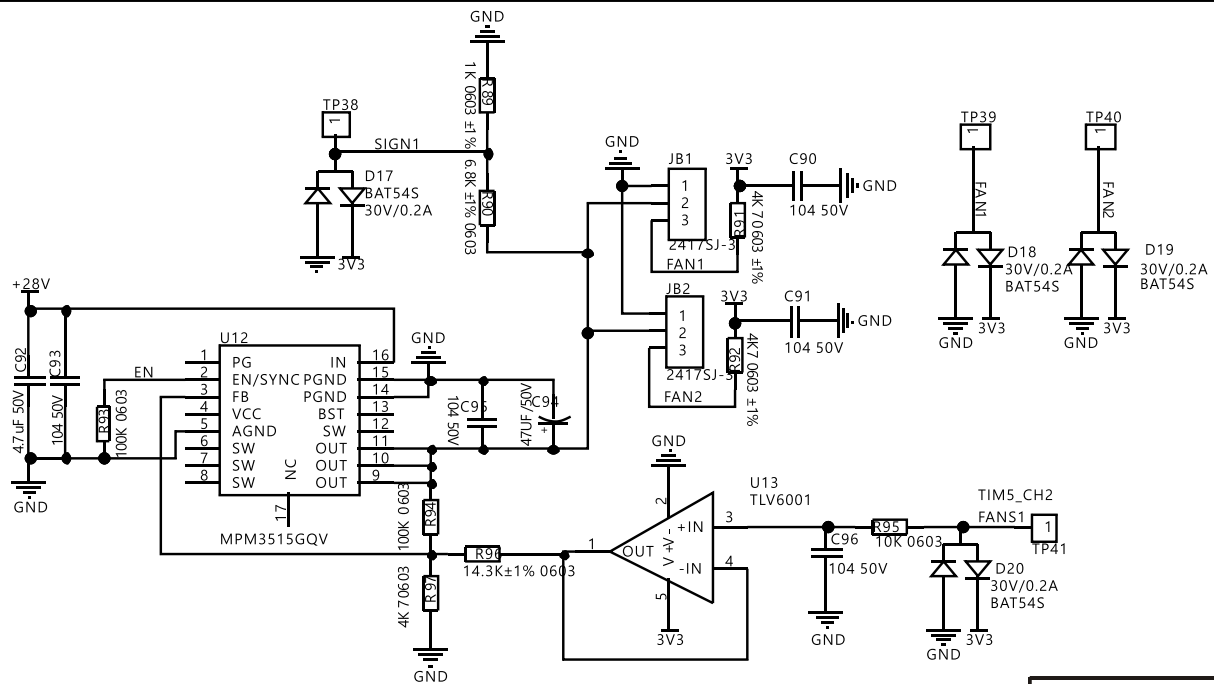
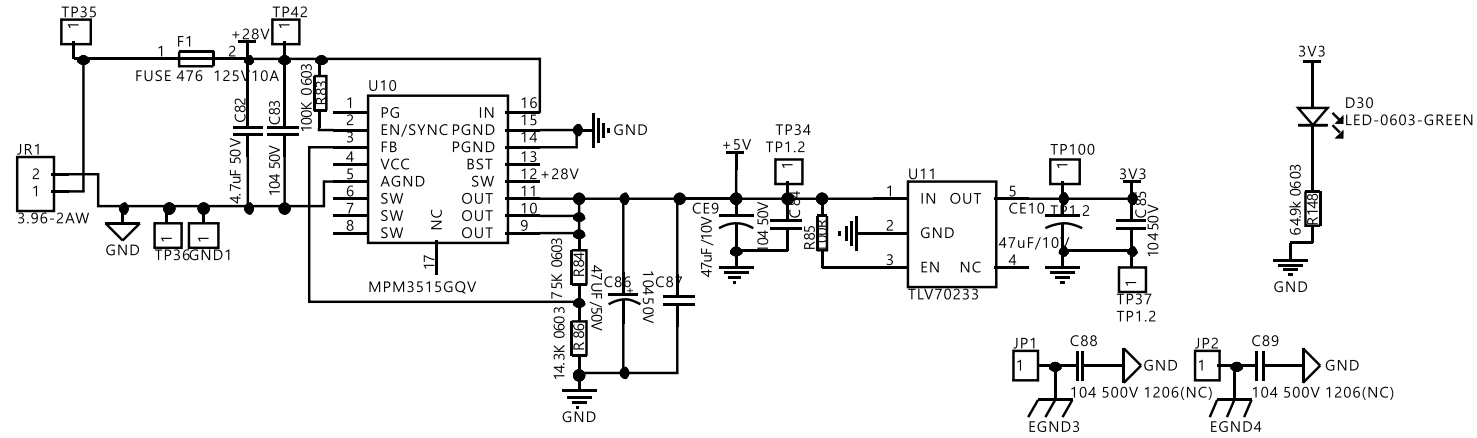


FAN

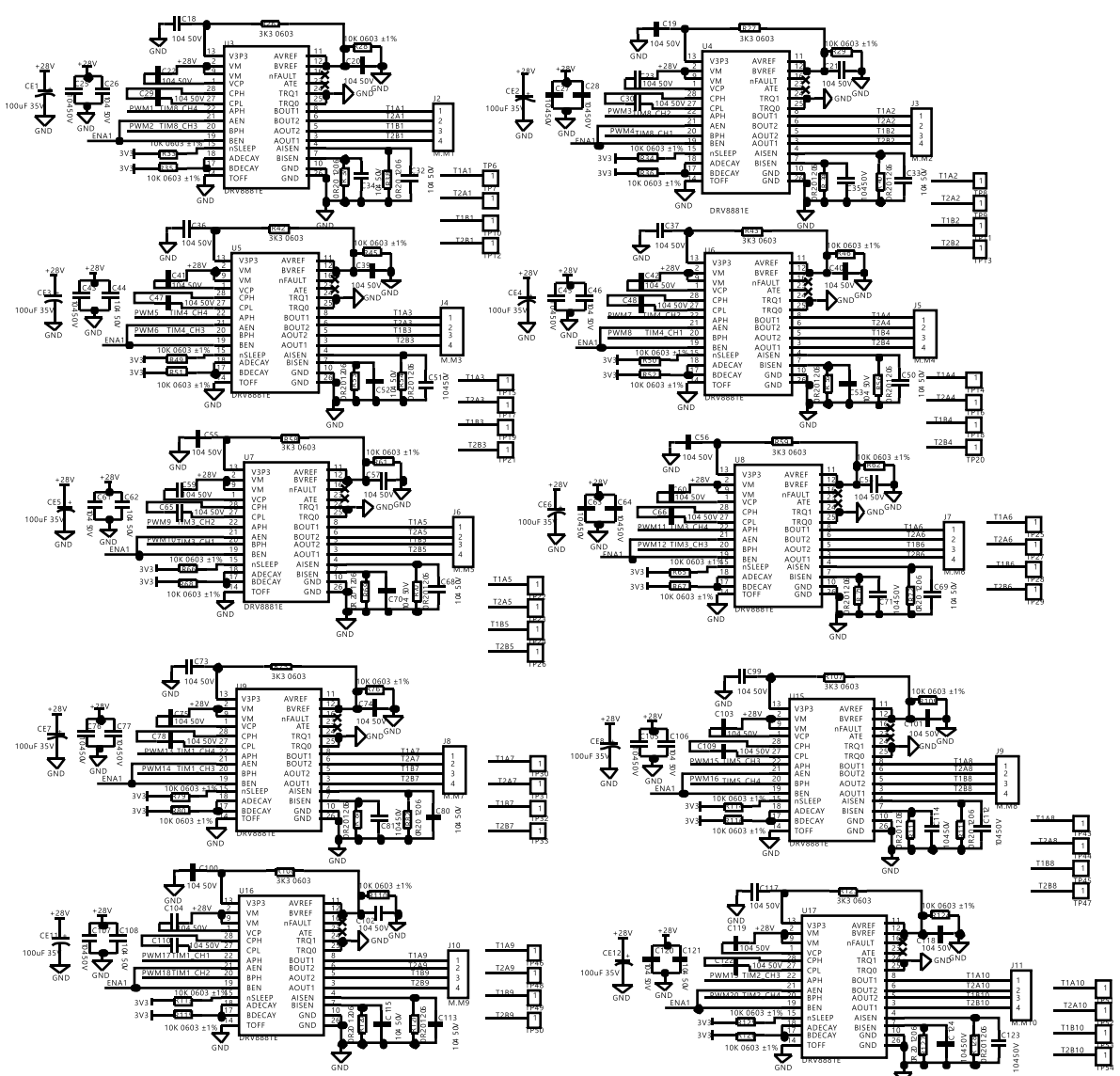
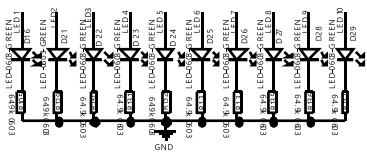
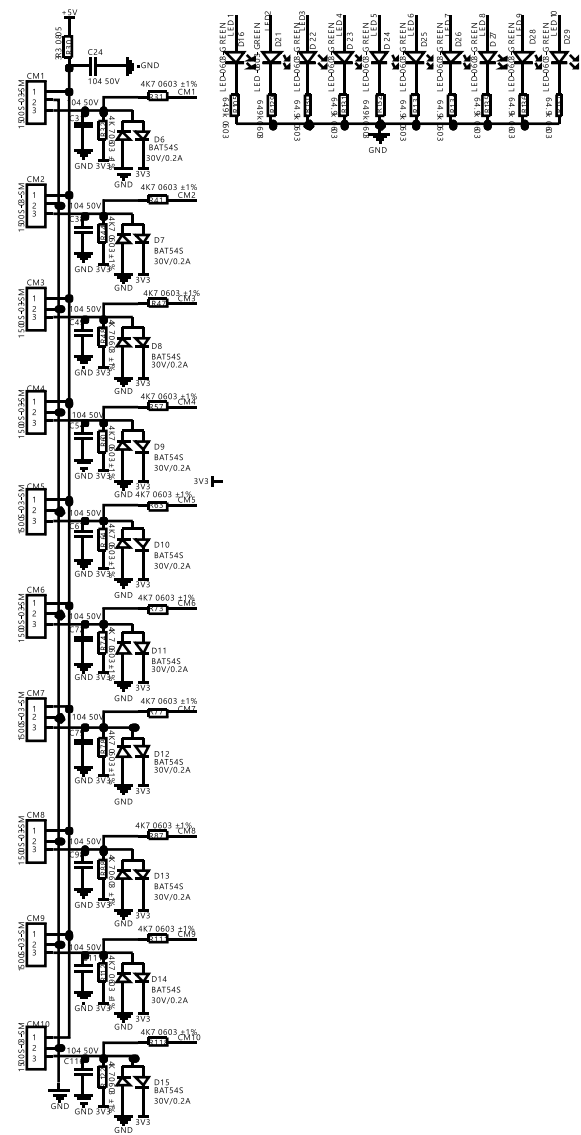


PRODUCT		STAGE			
PIC. NO.		PCB1608-0-A SCHEME (3/3)			
EDIT		FILE NO.	HY-WIEC-1854	PAGE NO.	46/50
CHECK		VERSION	NR	DATE	2018.07.20
APPROVE		ECN NO.		DATE	

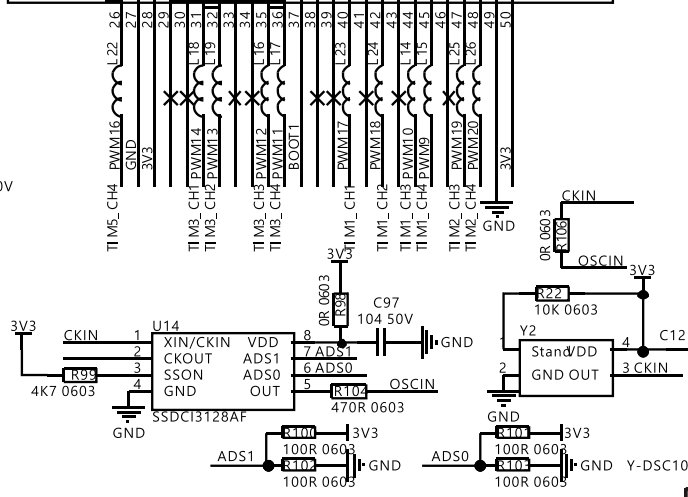
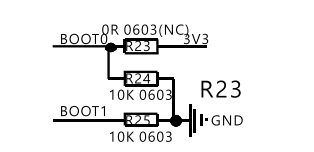
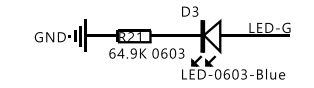
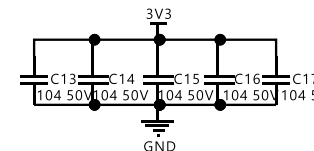
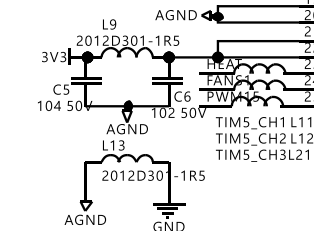
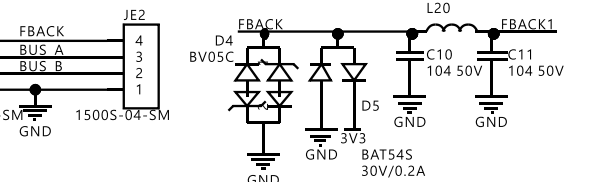
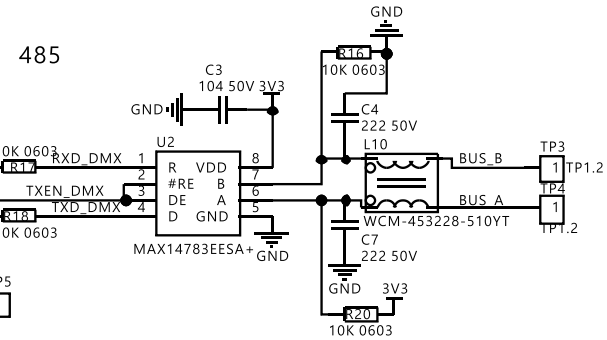
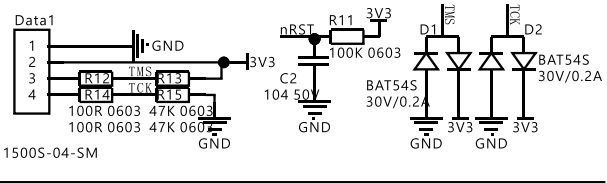
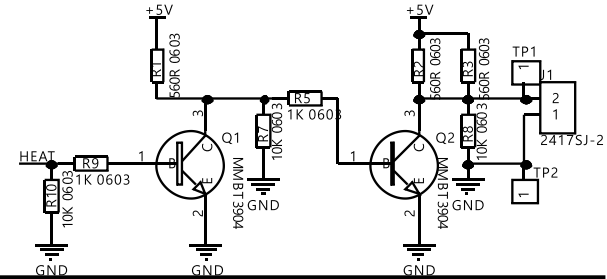
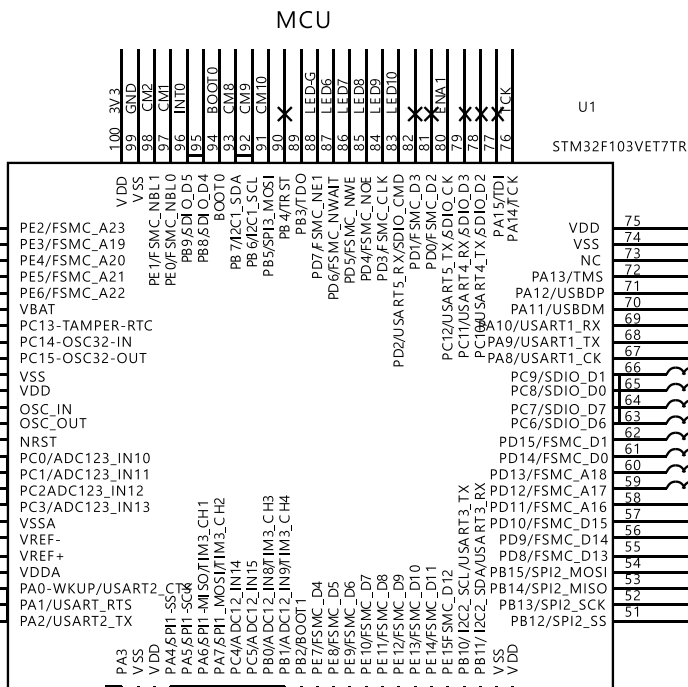
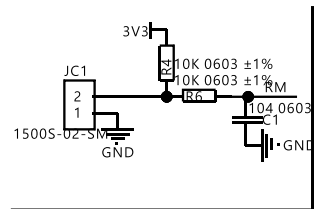
POWER(5V-3.3V)



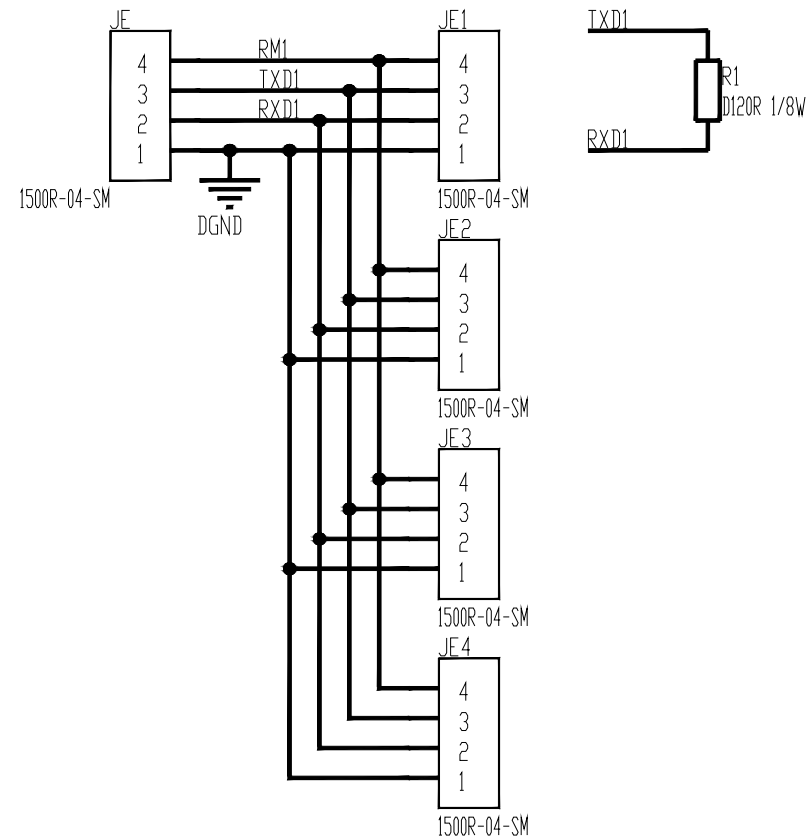
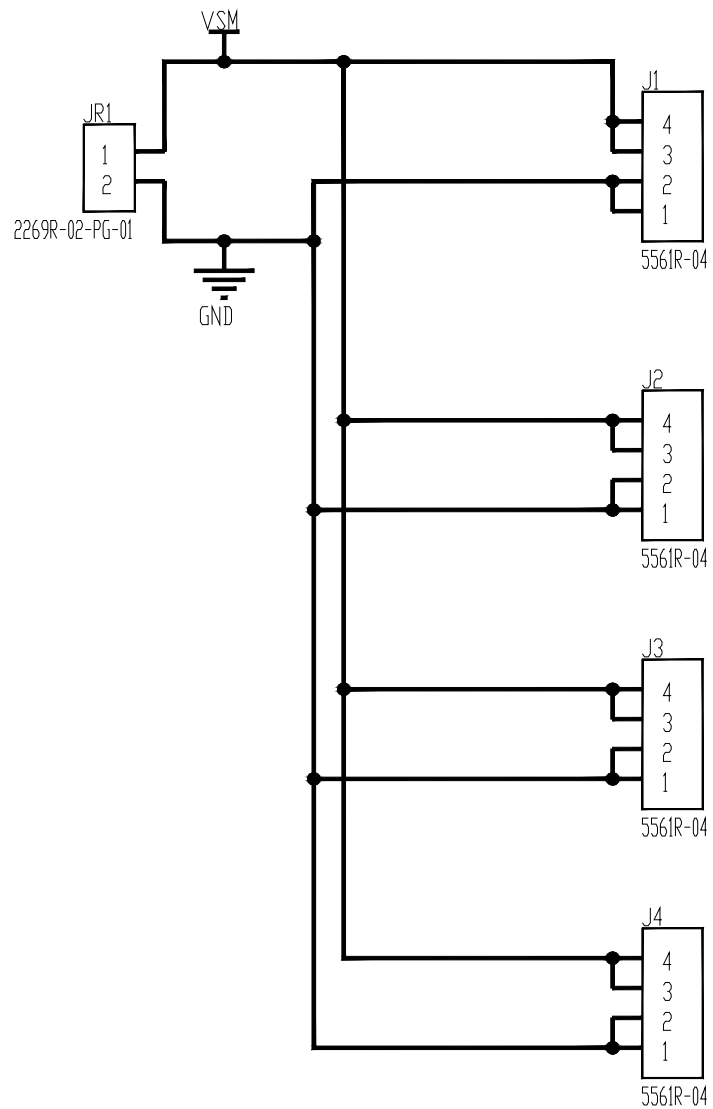
PRODUCT		STAGE			
PIC. NO.		PCB1609-0-A SCHEME (1/3)			
EDIT		FILE NO.	HY-WIEC-1843	PAGE NO.	47/50
CHECK		VERSION	NR	DATE	2018.07.20
APPROVE		ECN NO.		DATE	



PRODUCT		STAGE			
PIC. NO.		PCB1609-0-A SCHEME (2/3)			
EDIT		FILE NO.	HY-WIEC-1843	PAGE NO.	48/50
CHECK		VERSION	NR	DATE	2018.07.20
APPROVE		ECN NO.		DATE	



PRODUCT		STAGE			
PIC. NO.		PCB1609-0-A SCHEME (3/3)			
EDIT		FILE NO.	HY-WIEC-1843	PAGE NO.	49/50
CHECK		VERSION	NR	DATE	2018.07.20
APPROVE		ECN NO.		DATE	



PRODUCT		STAGE			
PIC. NO.		PCB1111-0-A SCHEME			
EDIT		FILE NO.	HY-WIEC-1340	PAGE NO.	50/50
CHECK		VERSION	NR	DATE	2018.07.20
APPROVE		ECN NO.		DATE	